

ACCESS

# ALTURA PLATINUM PRODUCT CATALOGUE

## Experience Luxury

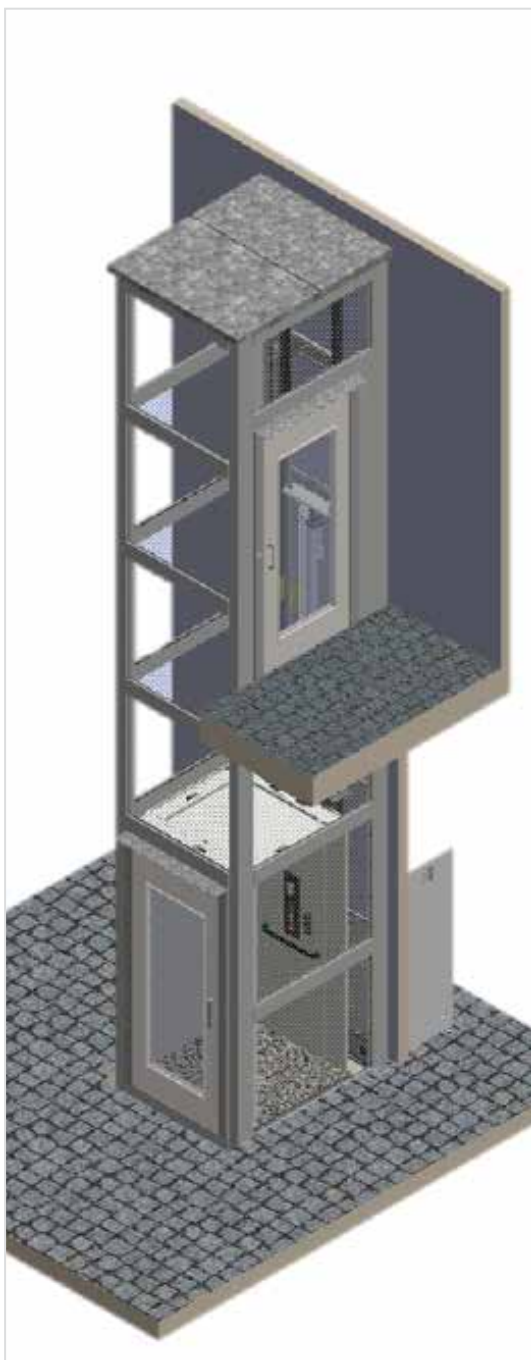
### **The Altura Platinum hydraulic home lift fits everywhere**

The Altura Platinum incorporates proven and reliable technology.

The hydraulic drive system can offer a wide range of choices, from a minimal layout to a fully enclosed cabin without compromises in comfort and performances.

Wide choice of materials and finishes.

Trust our designer's choice for stylish combinations or feel free to choose more conventional solutions. The Altura Platinum can be customised in many details and countless sizes, perfectly matching your environment.

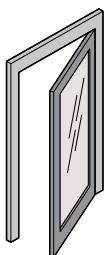


## Altura Platinum Hold To Run - fact sheet

The Altura Platinum incorporates proven and reliable hydraulic technology specifically designed to offer comfort and performance in private and public applications.

A safe and efficient Home lift with speed up to 0,15 m/s certified according to the Machine Directive.

|  |  |
|--|--|
| <b>Technical compliance</b>                                    | European Machine directive 2006/42/EC<br>Reference standard: EN 81-41                              |
| <b>Drive system</b>  | Hydraulic control unit with indirect action by chains  |
| <b>Max speed</b>   | Europe: 0,15 m/s according to 2006/42/EC<br>Soft start / stop                                      |
| <b>Rated Load</b>  | 250 - 450 kg depending on cabin size   |
| <b>Travel height</b>   | 900 - 13100 mm<br>(up to 15100 for light configurations)   |
| <b>Minimum distance between floors (Masonry / Metal Shaft)</b> | 250 mm (doors at different sides)<br>2200 / 2400 mm (doors same side, standard net height 2000 mm) |
| <b>Maximum distance between floors</b>                         | 11 meters  |
| <b>Number of stops</b>   | Max. 6 stops per lift / 12 doors per lift  |
| <b>Number of doors per floor</b>                               | Max. 2 doors per floor   |
| <b>Pit</b>   | 120 mm (no pit is required when there is a threshold/ramp)   |
| <b>Shaft Top height (Masonry / Metal Shaft)</b>                | Standard 2300 / 2450mm. Please refer to table pag.46 for other possibilities.                      |
| <b>Cabin control</b>   | Hold-to-Run  |
| <b>Landing control (on door)</b>                               | One-touch  |
| <b>Environment</b>   | Indoor / Outdoor (between -5°C and +40°C with oil heating device).                                 |
| <b>Emergency lowering</b>                                      | Battery operated emergency lowering  |
| <b>Control voltage</b>   | 24V  |
| <b>Power requirements</b>                                      | 1-phase 230Vac 50/60Hz - Max Power 3 kW  |
| <b>Circuit Breaker / RCD</b>                                   | 16A Tripping curves C / 30mA class A or B  |
| <b>Cabinet for Hydraulic unit and Electrical panel</b>         | Dimensions: 750×1500×460 mm<br>RAL 7001; Optionally painted at choice.                             |



The lift has a compact open cabin to fit in the narrowest environments or a Panel wall with ceiling for a completely panoramic installation.

- Platform with ceiling and Swing doors at landings
- Cabin without doors and Swing doors at landings



## Altura Platinum Hold To Run - dimensions and configurations

Our Home lift Altura Platinum can be offered with standard preconfigured solutions or can be customised in every detail and dimension perfectly matching your environment.

- ◆ Panel wall with ceiling or Cabin without doors
- ◆ Access side(s) monitored by photocells. Optional full height light curtains for the cabin accesses
- ◆ Application in existing shaft or with its own metallic shaft
- ◆ Indoor or Outdoor
- ◆ Front, Lateral, Opposite and Adjacent accesses and three sides (at different floors) for panel with ceiling only.

## Predefined plan sizes - cabin dimensions

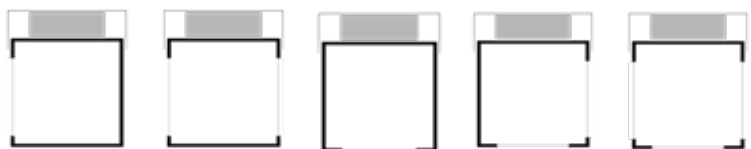
The most frequently requested plan sizes.

Rated load according to EN81-41 (250 kg/m<sup>2</sup>) up to 400 kg maximum, depending on cabin type, access configuration and optional features.

| Plan Code | Nominal Cabin Dimensions (mm) | Nominal Floor area (m <sup>2</sup> ) |
|-----------|-------------------------------|--------------------------------------|
| P1        | 900 × 1200                    | 1,08                                 |
| P2        | 1000 × 800                    | 0,80                                 |
| P3        | 1000 × 1000                   | 1,00                                 |
| P4        | 1200 × 1000                   | 1,20                                 |
| P5        | 1200 × 1200                   | 1,44                                 |
| P6        | 1400 × 900                    | 1,26                                 |
| P7        | 1400 × 1000                   | 1,40                                 |
| P8        | 1400 × 1100                   | 1,54                                 |

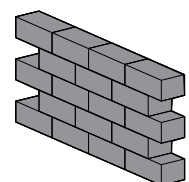
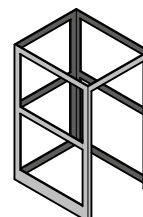
Real dimensions and rated load depending on configurations and type of access(es). Please refer to "Feasibility Information" section.

Cabins with intermediate dimensions are available.



### Cabin Dimensions

- ☑ Altura Platinum is available in 100 different plan sizes
- ☑ Altura Platinum is also offered in customised dimensions
- ☑ The rated load depends on the platform size and the required power supply is 230 V 1-phase.

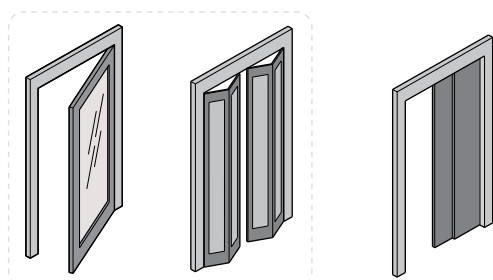




## Altura Platinum Automatic - fact sheet

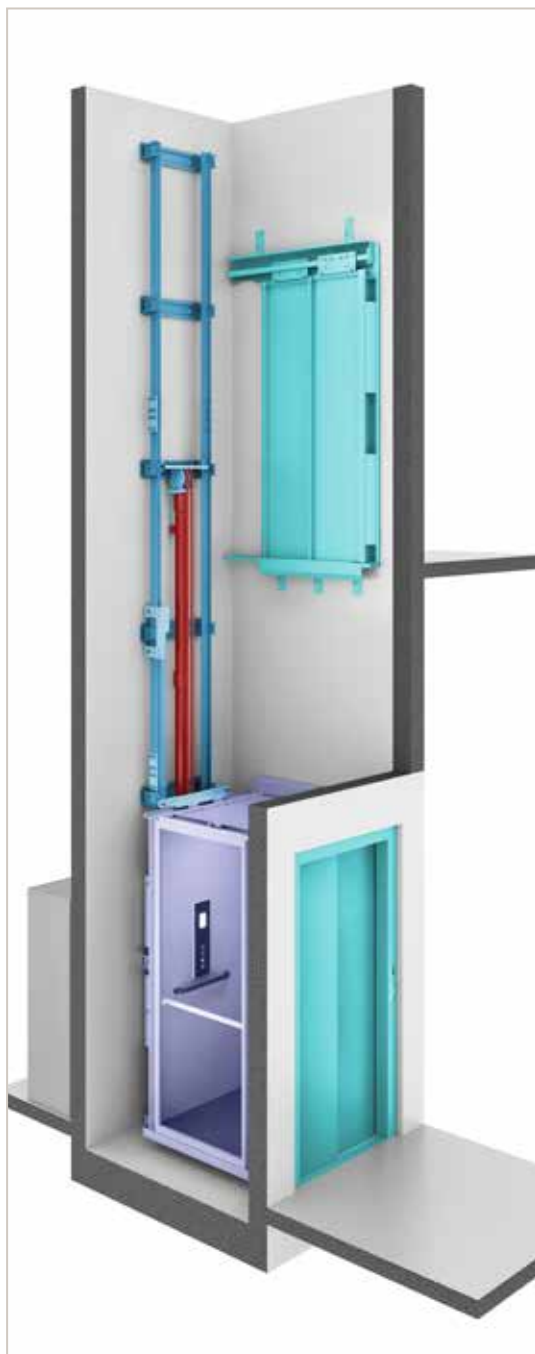
The Altura Platinum incorporates proven and reliable hydraulic technology and can offer comfort and performance. A safe and efficient Home lift for superior performances with speed from 0,15 m/s and a fully automatic operation when provided with cabin doors

|  |  |
|--|--|
| <b>Technical compliance</b>                            | European Machine directive 2006/42/EC<br>Reference standard: EN 81-41  |
| <b>Drive system</b>                                    | Hydraulic control unit with indirect action by chains  |
| <b>Max speed</b>                                       | Europe: 0,15 m/s according to 2006/42/EC Soft start / stop   |
| <b>Rated Load</b>                                      | 250 - 400 kg depending on cabin size   |
| <b>Travel height</b>                                   | 900 - 12600 mm<br>(up to 13600 for light configurations)   |
| <b>Distance between floors (Masonry / Metal Shaft)</b> | 250 mm (doors at different sides)<br>With standard doors, net height 2000 mm:<br>2200 / 2400 mm (Swing doors same side)<br>2480 / 2550 mm (Sliding doors same side)  |
| <b>Maximum distance between floors</b>                 | 11 meters  |
| <b>Number of stops</b>                                 | Max. 6 stops per lift / 12 doors per lift  |
| <b>Number of doors per floor</b>                       | Max. 2 doors per floor   |
| <b>Pit</b>   | 120 mm (no pit is required when there is a threshold/ramp)   |
| <b>Shaft Top height (Masonry / Metal)</b>              | Folding Doors: Standard 2320 / 2450 mm<br>Sliding Doors 2P/4C: Standard 2450 / 2590 mm<br>Sliding Doors 3P: Standard 2500 / 2590 mm<br>Please refer to table pag.46 for other possibilities. Elongation is possible. |
| <b>Cabin control</b>                                   | One-touch  |
| <b>Landing control (on door)</b>                       | One-touch with call reservation  |
| <b>Environment</b>                                     | Indoor / Outdoor (between -5°C and +40°C with oil heating device).   |
| <b>Emergency lowering</b>                              | Battery operated emergency lowering  |
| <b>Control voltage</b>                                 | 24V  |
| <b>Power requirements</b>                              | 1-phase 230Vac 50/60Hz - Max Power 3 kW  |
| <b>Circuit Breaker / RCD</b>                           | 16A Tripping curves C / 30mA class A or B  |
| <b>Cabinet for Hydraulic unit and Electrical panel</b> | Dimensions: 750×1500×460 mm<br>RAL 7001; Optionally painted at choice.   |



The lift has a completely enclosed cabin for a comfortable automatic operation.

- Cabin with Folding Doors and Swing doors at landings
- Cabin with Sliding doors and Sliding doors at landings



## Altura Platinum Automatic - dimensions and configurations

Our Home lift Altura Platinum can be offered with standard preconfigured solutions or can be customised in every detail and dimension perfectly matching your environment.

- ◆ Cabin with automatic Folding Doors
- ◆ Cabin with automatic Sliding Doors
- ◆ Application in existing shaft or with its own metallic shaft
- ◆ Indoor or Outdoor
- ◆ Front, Lateral, Opposite and Adjacent accesses

## Predefined plan sizes - cabin dimensions

The most frequently requested plan sizes.

Rated load according to EN81-41 (250 kg/m<sup>2</sup>) up to 400 kg maximum, depending on cabin type, access configuration and optional features.

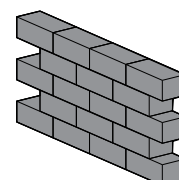
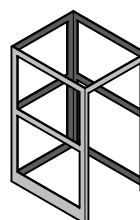
| Plan Code | Nominal Cabin Dimensions (mm) | Nominal Floor area (m <sup>2</sup> ) |
|-----------|-------------------------------|--------------------------------------|
| P1        | 900 × 1200                    | 1,08                                 |
| P2        | 1000 × 800                    | 0,80                                 |
| P3        | 1000 × 1000                   | 1,00                                 |
| P4        | 1200 × 1000                   | 1,20                                 |
| P5        | 1200 × 1200                   | 1,44                                 |
| P6        | 1400 × 900                    | 1,26                                 |
| P7        | 1400 × 1000                   | 1,40                                 |
| P8        | 1400 × 1100                   | 1,54                                 |

Real dimensions and rated load depending on configurations and type of access(es). Please refer to "Feasibility Information" section. Cabins with intermediate dimensions are available.

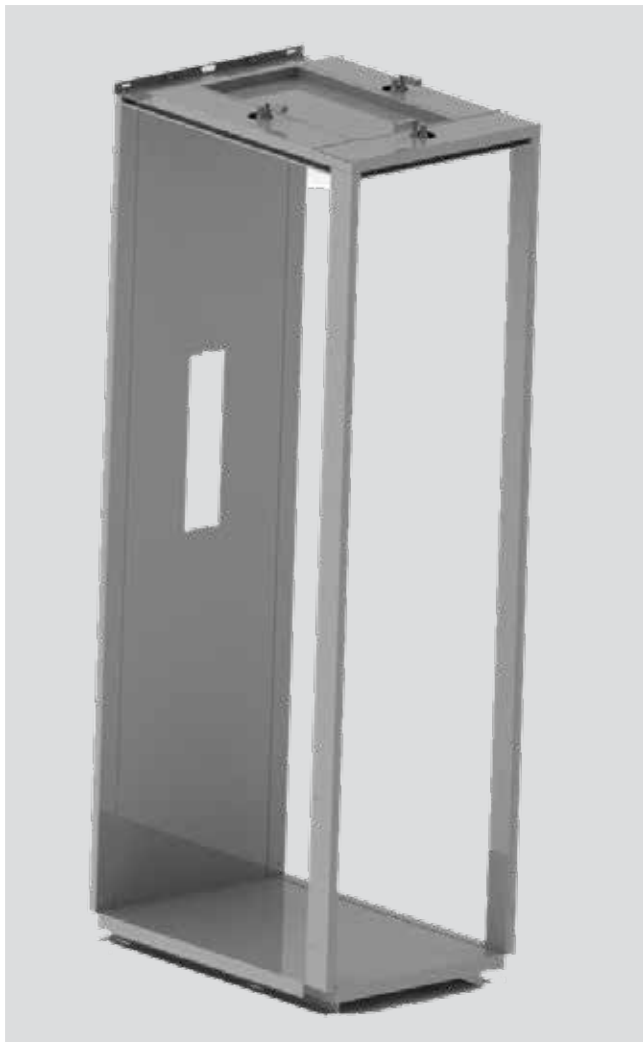


### Cabin Dimensions

- ☑ Altura Platinum is available in more than 200 different plan sizes
- ☑ Altura Platinum is also offered in customised dimensions
- ☑ The rated load depends on the platform size and the required power supply is 230 V 1-phase.



# Altura Platinum full panel with ceiling



Full Panel Platform with Ceiling  
 Hold to Run operation  
 Red Button for emergency situation in the COP

## Full Panel with ceiling

Altura Platinum is delivered with a C-shaped platform made of a platform, a full height panel (2100 mm) with a roof. The panels and the roof can be:

- ◆ Skinplate or RAL painted
- ◆ Made in Stainless Steel AISI441 or AISI304 Satin
- ◆ Made in Stainless Steel AISI304 Linen

The full height panel is available for G-side in different sizes and is complemented with the vertical posts containing a set of photocells for each open side.

### Panel height

Standard 2100 mm. Optional 1920, 2020, 2200 mm.

Height 2200 mm is not available with Skinplate finishes.

For more details and information about minimum free height please refer to pag.40

## Fold down seat

In solid transparent plexiglass and with metal like painted brackets. The seat has to be folded back manually after use.

Can be ordered as an option.

For CW >= 750 mm

Size: 300 x 420 mm

Rated Load: 100 kg according to EN81-41

## Platform

Provided with vinyl floor at choice

## Control Panel & Handrail

Control Panel is black mirror, comes with white LED backlight and can be fitted with TFT display and autodialer. A handrail is mandatory according to EN81-41 and is delivered as standard in black finish.

## Nominal Dimensions

Altura Platinum full panel with ceiling is available in more than 50 plan sizes. Platform dimension has been preselected according to the most frequently asked configurations and the layout is designed to maximize the net door access. Detailed drawings are included in the annex.

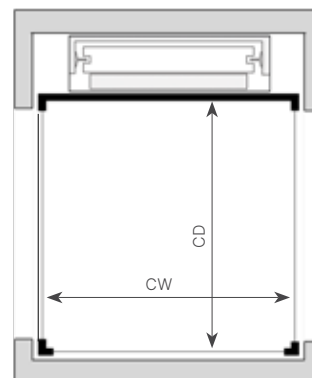
Intermediate dimensions for doors and plan sizes are possible.

In masonry shaft:

Smallest Platform (CWxCD): 560x640mm / access side A and/or C

Smallest Platform (CWxCD): 600x600mm / access side B (door 600mm; jambs 60mm)

Largest Platform (CWxCD): 1600 mm x 1125 mm



# Altura Platinum cabin without doors



## Cabin without doors

Altura Platinum is delivered with a cabin with one or two access. At landings you will have swing doors. Cabin wall finishes and roof:

- ◆ Skinplate or RAL painted
- ◆ Made in Stainless Steel AISI441 or AISI304 Satin
- ◆ Made in Stainless Steel AISI304 Linen
- ◆ High Pressure Laminates with different styles and accent on the central panel and corners

Accesses are protected by a set of photocells for each open side. Full Height Light Curtains available as option.

### Cabin height

Standard Cabin: 2100 mm. Optional 1920, 2020, 2200 mm

Elegance Cabin: 2100 mm. Optional 2200 mm

Height 2200 mm is not available with Skinplate finishes.

In case of false ceiling net cabin height is reduced by 70 mm

For more details and information about minimum free height please refer to pag.40

## Fold down seat

In solid transparent plexiglass and with metal like painted brackets. The seat has to be folded back manually after use. Can be ordered as an option.

Size: 300 × 420 mm

Rated Load: 100 kg according to EN81-41

## Platform

Vinyl, carpet or stones floor at choice

## Control Panel & Handrail

Control Panel is black mirror, comes with white LED backlight and can be fitted with TFT display and autodialer.

Handrail can be fitted on each cabin wall at choice, including the guide side.

Optional control panel for Elegance cabins: Mirror / Gold

Cabin without doors with one or two accesses  
Hold to Run operation  
Red Button for emergency situation in the COP

## Nominal Dimensions

Altura Platinum CABIN is available in more than 50 plan sizes. Cabin dimension has been preselected according to the most frequently asked configurations and the layout is designed to maximize the net door access.

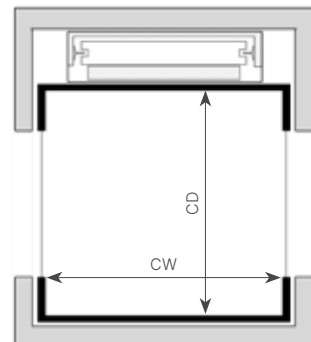
Detailed drawings are included in the annex.

Intermediate dimensions for doors and plan sizes are possible.

In masonry shaft:

Smallest Cabin (CWxCD): 750 mm x 625 mm

Biggest Cabin (CWxCD): 1600 mm x 1125 mm (please check feasibility diagram)



# Altura Platinum cabin with folding doors



Cabin with folding doors

## Cabin folding doors

Altura Platinum is delivered with a completely enclosed cabin with automatic folding doors at each access (max 2). Folding doors are a perfect fit in case of space claim. At landings you will have swing doors.

## Cabin doors:

- ◆ 4 panels central opening
- ◆ RAL painted or Stainless Steel (AISI304 Satin)
- ◆ Blind or Panoramic

## Cabin wall finishes:

- ◆ Skinplate or RAL painted
- ◆ Stainless Steel AISI441 or AISI304 Satin
- ◆ Stainless Steel AISI304 Linen
- ◆ High Pressure Laminates with different styles and accent on the central panel and corners

## Cabin height

Standard Cabin: 2100 mm. Optional 2020, 2200 mm.  
 Elegance Cabin: 2100 mm. Optional 2200 mm.  
 Height 2200 mm is not available with Skinplate finishes.  
 In case of false ceiling net cabin height is reduced by 70 mm.  
 For more details and information about minimum free height please refer to page.40

## Control Panel & Handrail

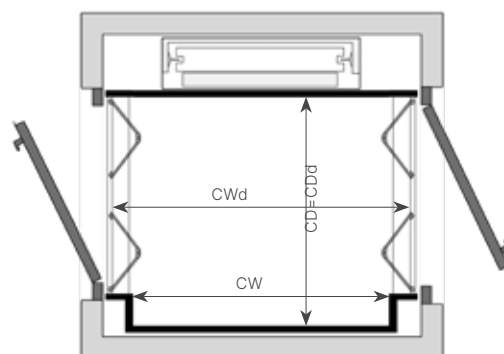
Control Panel is black mirror, comes with white LED backlight and can be fitted with TFT display and autodialer.  
 Handrail can be fitted on each cabin wall at choice, including the guide side.

Optional control panel for Elegance cabins: Mirror / Gold

## Nominal Dimensions

Altura Platinum with folding doors is available in more than 50 plan sizes.  
 Cabin dimension has been preselected according to the most frequently asked configurations and the layout is designed to maximize the net door access.  
 Detailed drawings are included in the annex.  
 Intermediate dimensions for doors and plan sizes are possible.

In Masonry Shaft:  
 Smallest Cabin (CWxCD): 750 mm x 650 mm  
 Biggest Cabin (CWxCD): 1420 mm x 1125 mm



CW/CD: Cabin dimensions measured wall to wall - recommended for public access  
 CWd/CDd: Cabin dimensions measured door to door - valuable for private  
 Rated Load based on CWxCD



# Altura Platinum cabin with sliding doors



Cabin with sliding doors

## Cabin sliding doors

Altura Platinum is delivered with a completely enclosed cabin with automatic telescopic doors at each access (max 2) Accesses are protected with photocells or optionally with full height light curtains.

## Cabin doors type:

- ◆ 2 panels lateral opening or 4 panels central opening
- ◆ 3 panels lateral opening [For Masonry shaft only]

Cabin with double accesses and different types of doors are also possible: 2P+3P [For Masonry Shaft only] and 2P+4P.

## Cabin doors finish:

- ◆ Skinplate, RAL painted or Stainless Steel
- ◆ Blind or Panoramic

## Cabin wall finishes:

- ◆ Skinplate or RAL painted
- ◆ Stainless Steel AISI441 or AISI304 Satin
- ◆ Stainless Steel AISI304 Linen
- ◆ High Pressure Laminates with different styles and accent on the central panel and corners

## Cabin height

Standard Cabin: 2100 mm. Optional 2200 mm.  
 Elegance Cabin: 2100 mm. Optional 2200 mm.  
 Height 2200 mm is not available with Skinplate finishes.  
 In case of false ceiling net cabin height is reduced by 70 mm.  
 For more details and information about minimum free height please refer to pag.40

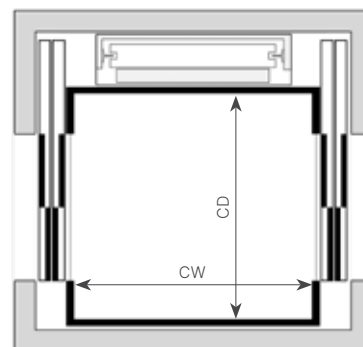
## Control Panel & Handrail

Control Panel is black mirror, comes with white LED backlight and can be fitted with TFT display and autodialer.  
 Handrail can be fitted on each cabin wall at choice, including the guide side.  
 Optional control panel for Elegance cabins: Mirror / Gold

## Nominal Dimensions

Altura Platinum with sliding doors is available in more than 50 plan sizes. Cabin dimension has been preselected according to the most frequently asked configurations and the layout is designed to maximize the net door access. Detailed drawings are included in the annex.

Intermediate dimensions for doors and plan sizes are possible.  
 In Masonry Shaft:  
 Smallest Cabin (CWxCD): 750 mm x 650 mm  
 Biggest Cabin (CWxCD): 1420 mm x 1125 mm



# Cabin - Main features

## 1 Control Operation Panel

The control panel is always placed on the machine side (G-side) of the cabin. It contains the destination buttons, the alarm button, the open door button and a colour display. As an option it can be configured with an autodialer system and/or a key. It has a backlight all around the profile which emphasizes the design of the panel.

Standard: Polished Steel Black. Optional: Mirror; Gold

The location of the platform buttons and the handrail conform to EN 81-41



## 2 Destination buttons

Destination buttons conform to EN 81-41. The location of the buttons are within the limits in the standard, i.e. height between cabin floor and the centre line of the buttons is between 900-1100 mm.

Standard buttons are engraved with braille. Diameter of buttons in vertical panel: 37 mm  
Following buttons are available:  
-2, -1, 0, 1, 2, 3, 4, 5, 6, B, BG, BV, G, K, KV, P, U, E.

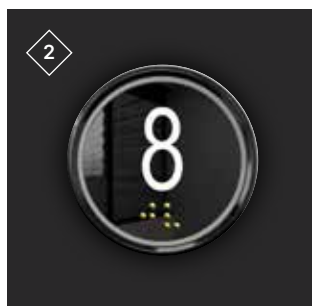
COP layout is in two columns, in case of more buttons. Finishes matching with the control panel.



## 3 Alarm button

A standard alarm button is always delivered with the lift. The alarm button is connected to an external alarm sounder and to an optional autodialer.

When it is pressed, a siren sounds. Keep it pressed for 3 seconds to activate the emergency call with the optional autodialer.



## 4 Handrail

A handrail is mandatory according to EN81-41. The height between platform floor and top edge of the handrail is between 875 - 925 mm. Minimum cross-sectional dimension is 30 mm.

Standard Cabin: Black [G-side only] or Stainless Steel  
Elegance Cabin: Black [G-side only] or Stainless Steel or Gold (with Satin finish).

Handrail on a cabin wall adjacent to a cabin access could be not feasible, depending on the dimensions of the cabin jambs. A specific feasibility check will be performed at design stage.



### 5 External alarm sounder

The alarm sounder is mounted in the electrical cabinet.

It is connected to the alarm button and when the button is pressed the siren will give a loud signal outside the lift to attract attention in case of emergency.



### 6 Display and Landing indicator

TFT colour display is positioned on the control panel. It shows which floor the lift is on at the moment.

Display can also show the following information from the system:

- ◆ Direction of the lift when travelling
- ◆ Several different icon depending on the message or the status of the lift (for instance, a bell when the alarm button has been pressed, a weight symbol if the lift is overloaded)
- ◆ Error code for diagnostic
- ◆ If connected to the buildings fire alarm a symbol will be shown when alarm is activated.

The display can be ordered as an option and different audio options can be selected:

- ◆ No acoustic signal
- ◆ Acoustic signal in the cabin and at landings
- ◆ Voice announcer at cabin and acoustic signal at landings

Available languages for the voice announcer are: English,

Italian, French, German, Spanish, Dutch, Portuguese, Czech and Russian.



### 7 Building Integration

In combination with the Display, the lift can be connected to the building's fire alarm. In case of fire, a symbol on the display will be shown when the alarm is activated and the lift will move to a predetermined floor and park there. A specific customer's declaration is needed to integrate this option in the system.



### 8 Key switch on platform

Key switch placed on the control panel.  
The key switch locks the Home lifts functions and prohibits unauthorized use.

Two options to choose from:

- ◆ mechanical key
- ◆ i-button

One key switch per cabin or one key switch per each stop (max 4) can be provided.  
Specific configurations can be designed to allow individual access for different users



*We supply two keys per each switch.  
Extra keys can be provided on request.*



*We supply one (black) i-button per each selective switch or LOP switch.  
Two (black) i-buttons in case of overall cabin switch.  
Extra buttons can be provided on request.  
Red i-button is for installation only.*

### 9 Ventilation Fan

A ventilation Fan can be installed as option in the Standard Cabin. The fan will be positioned directly onto the trapdoor close to the guide side.  
The fan will switch on automatically when the lift is operated and then switch off after a delayed time, exactly as it happens for the cabin light.

An optional fan button can be added to the COP in order to switch OFF/ON manually the fan.

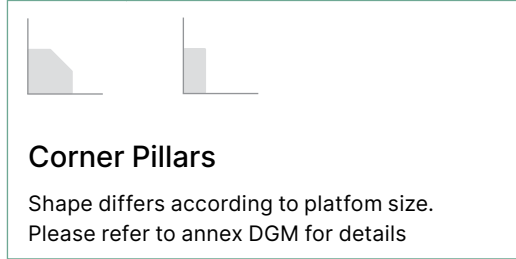
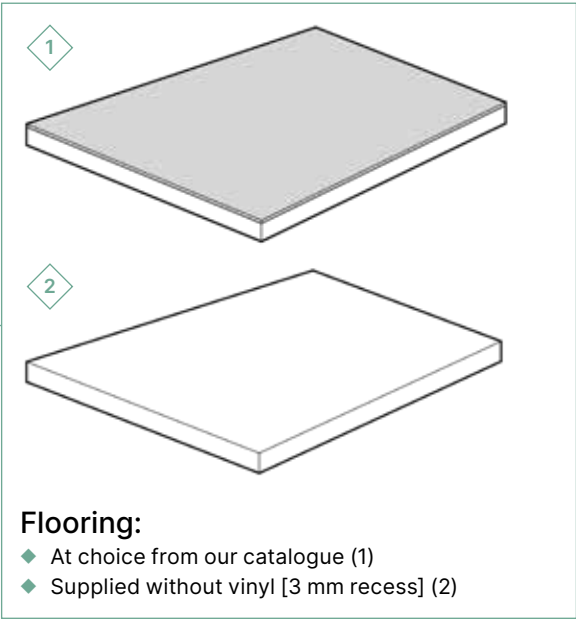
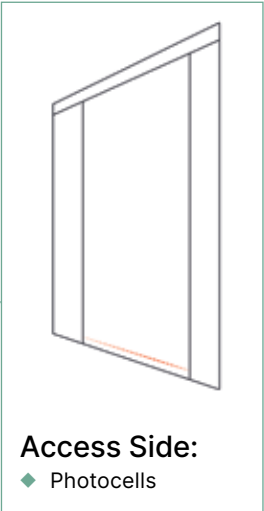
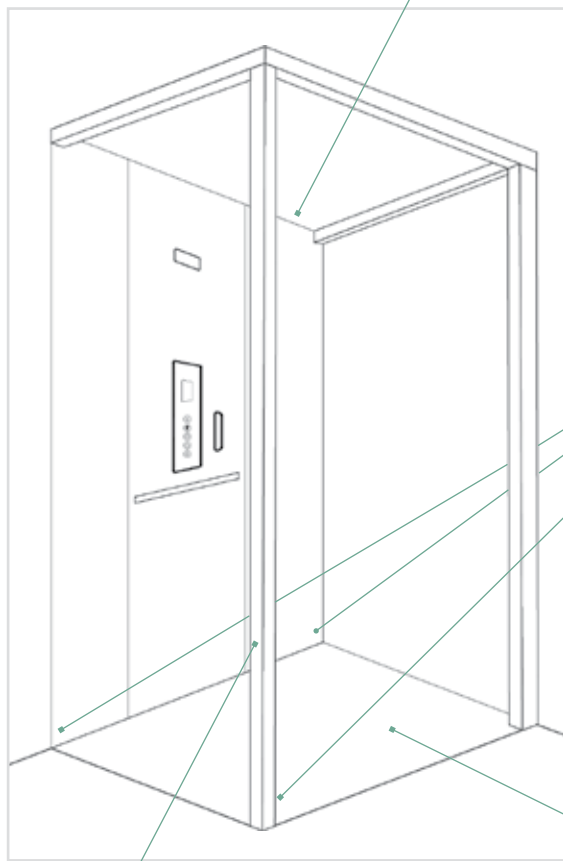
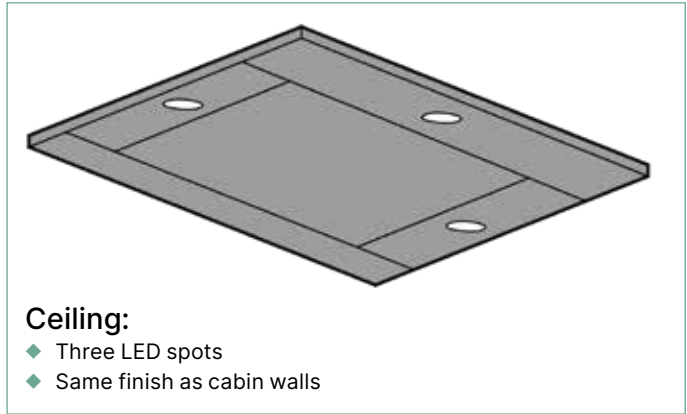
There are two operation modes that can be set in the mainboard.

"Full Manual": There is no logic. The button is a conventional on/off switch. (If not pushed off, fan stays on independently from the status of the lift).

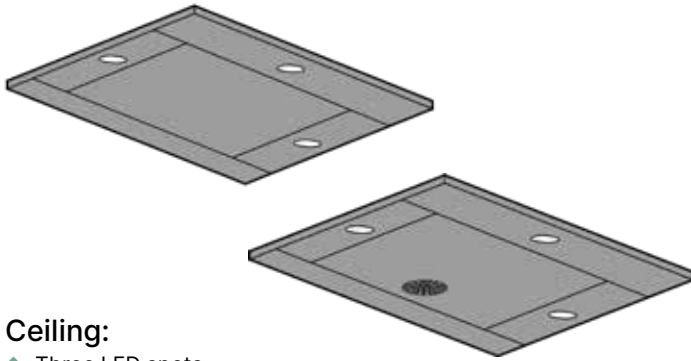
"Manual": Automatic on/off logic is maintained. In addition, you can use the button to switch off/on the fan when the lift is operated. This is the standard setting when the lift is delivered.



# Full Panel with ceiling - Layout

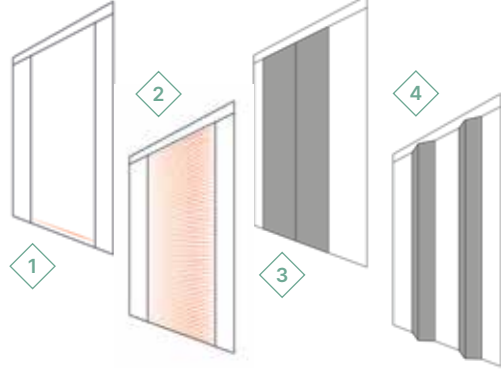


# Standard Cabin - Layout



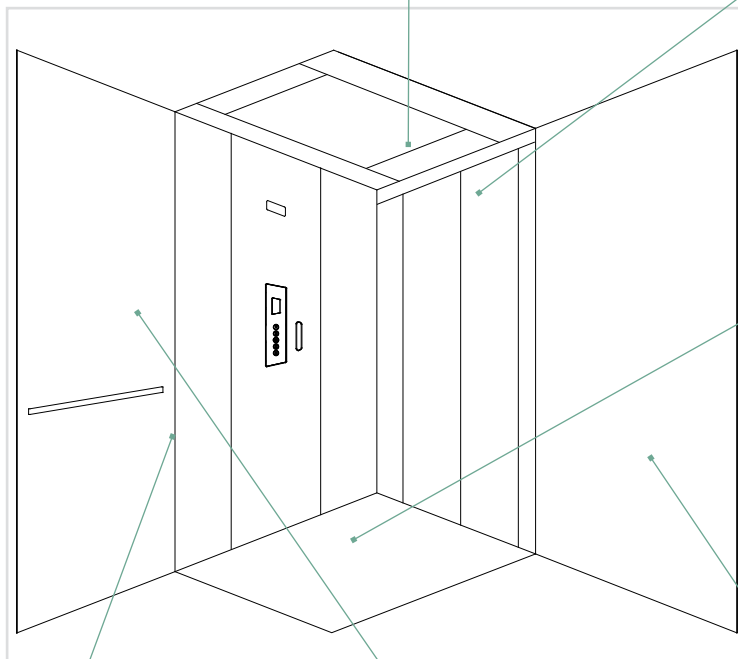
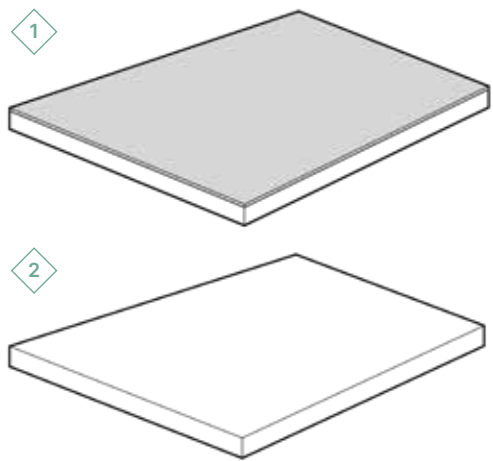
**Ceiling:**

- ◆ Three LED spots
- ◆ Same finish as cabin walls
- ◆ Optional ventilation Fan



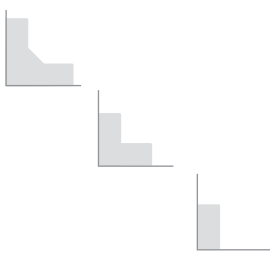
**Access Side:**

- ◆ Photocells (1)
- ◆ Light Curtains (2)
- ◆ Sliding door (3)
- ◆ Folding door (4)

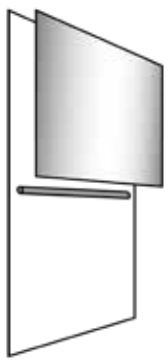
**Flooring:**

- ◆ At choice from our catalogue (1)
- ◆ Supplied without vinyl [3 mm recess] (2)



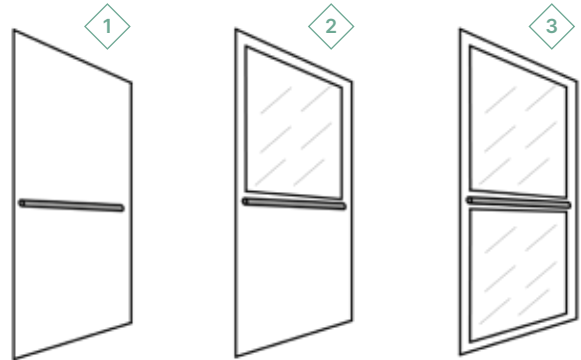
**Cabin Corners:**

Corners between walls might have different shapes depending on layout and dimensions. Please refer to annex DGM for details



**Mirror for cabin wall:**

- ◆ Half Wall
- ◆ Optional handrail



**Cabin Wall:**

Blind Wall (1) Half Panoramic (2) Full Panoramic (3)  
Handrail not included, mandatory on Full Panoramic for Public Access solutions

# Elegance Cabin - Layout

**Suspended ceiling:**

- ◆ Opal (1)
- ◆ Round (2)
- ◆ Plain steel (3)
- ◆ Starry sky - Stainless Steel (4)

**Access Side:**

- ◆ Photocells (1)
- ◆ Light Curtains (2)
- ◆ Sliding door (3)
- ◆ Folding door (4)

At access side, jambs are in the same finish as the cabin corners

Corners, central panel and access jambs are in the same finish and called "Accent"

**Flooring:**

- ◆ At choice from our catalogue (1)
- ◆ Prepared for Customer application [up to 20 mm recess; pit height increase accordingly] (2)

**Cabin Corners:**

Corners at access sides might have different shapes depending on layout and dimensions. Please refer to annex DGM for details.

**Cabin Wall:**

Blind Wall(1) Half Panoramic(2) Full Panoramic (3)  
 Handrail not included - Mandatory on Full Panoramic for Public Access solutions

**Mirror for cabin wall:**

- ◆ Slat vertical - fixed dimensions (1)
- ◆ Half wall (2)
- ◆ Full wall (3)

# Standard Cabin - Finishes

## Flooring

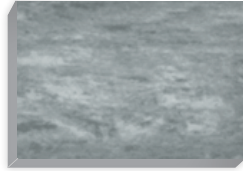
Choose between the following options for safety vinyl flooring with guaranteed life time non-slip.



White Vinyl



Sand Vinyl



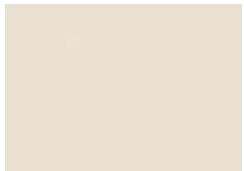
Grey Vinyl

Choose to have your lift delivered without flooring, if you want to apply your own. Max 3 mm flooring for flush top alignment.

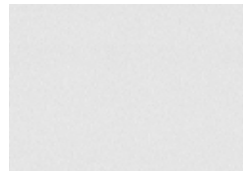
## Cabin Wall

RAL Colour suggested for painted parts to match with the pre-coated steel.

**PRE-COATED STEEL - PLAIN - for cabin height 1920, 2020, 2100 mm - NOT for 2200 mm**



A4 (standard) - similar to RAL9010



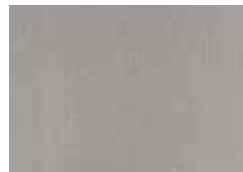
A1 - similar to RAL9003



A13 - similar to RAL1013



N1 - similar to RAL7035



PPS - Metal Like - similar to RAL7037

Pre-coated steel is a quality material where one side of a galvanized steel sheet is industrially coated with a layer of PVC film which guarantees high aesthetic value and durability.

**PRE-COATED STEEL - PPS - for cabin height 1920, 2020, 2100 mm - NOT for 2200 mm**



PPS1 - similar to RAL 7035



PPS10 - similar to RAL 9003

**RAL PAINT OF CHOICE**



Please refer to FAQ Section

## STAINLESS STEEL



Stainless Steel Satin

Pictures are purely indicative and cannot be considered controlled samples.

Sample kits are available on request.

Contents subject to change without notice



# Elegance Cabin - Finishes

## Cabin Wall

High Pressure Laminates (HPL) with premium finishes, combining excellent performances with extraordinary tactile qualities. An ideal material for interior design from Italian master manufacturers.

### LAMINATE - WOOD



W 4303 (Smooth)



W 4367 (Smooth)



W 4515 (Rough)



W 4533 (Smooth)



W 4511 (Rough)

### LAMINATE - TEXTURE



Tx 3318 (Rough)



Tx 4485 (Rough)

### STAINLESS STEEL



Satin



Mirror (Polished)



Gold (Polished)

### LAMINATE - CONCRETE



Cr 868 (Rough)



Cr 585 (Smooth)



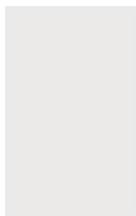
Cr 3331 (Rough)



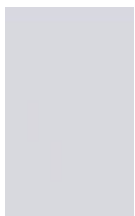
Cr 546 (Rough)

(\* ) Veining of the laminates is always Vertical unless otherwise specified

### ACCENT - CORNERS, CENTRAL PANEL AND ACCESS JAMBS - SMOOTH FINISH



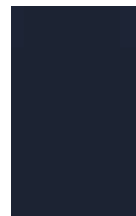
9003



7035



7012



7021



Satin



Mirror (Polished)



Gold Mirror (Polished)



1019



3003



6011



5024

Range of finishes may vary without prior notice depending on availability.

Pictures are purely indicative and cannot be considered controlled samples. Samples kit are available on request.

Contents subject to change without notice

## Flooring

Choose between the following options for safety vinyl flooring with guaranteed lifetime non-slip.

### VINYL



White



Sand



Grey

### STONES



White



Sand



Grey

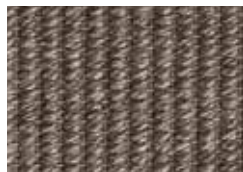


Black

### CARPETS



White



Sand



Grey

Prepared for Customer application  
[up to 20 mm recess; pit height  
increase accordingly. Please refer to  
installation drawing]

Custom

## Ceiling

Elegance cabin is always provided with a counterceiling with LED light. Choose between the following options:

- 1 Opal (standard)
- 2 Plain
- 3 Round
- 4 Starry Sky



Starry sky is stainless steel satin.

The other ceilings are in steel, painted RAL9010 (white). As option can be ordered in Stainless Steel Satin



# Elegance Cabin - Designer's choice

## 1 Modern Europe

Wall: Bright Wood 4515  
Accent: Black 7021  
Ceiling: Round  
Flooring: Grey Vinyl  
Mirror: none  
Handrail: S.Steel 2 pieces (\*)

1



## 2 Modern Americas

Wall: Concrete 3331  
Accent: Blue 5024  
Ceiling: Plain  
Flooring: Grey Vinyl  
Mirror: Slat vertical  
Handrail: S.Steel 2 pieces (\*)

Note: Pictures and veining orientation are purely indicative.

2



(\*) Handrail S.Steel 2 pieces: for 1400 wide cabin only. Not for Cabin with folding doors at side A and/or C)

1 **Classic Europe**

Wall: Cool Wood 4511  
 Accent: Beige 1019  
 Ceiling: Plain  
 Flooring: Sand Carpet  
 Mirror: Full Wall  
 Handrail: S.Steel 2 pieces (\*)

2 **Classic Americas**

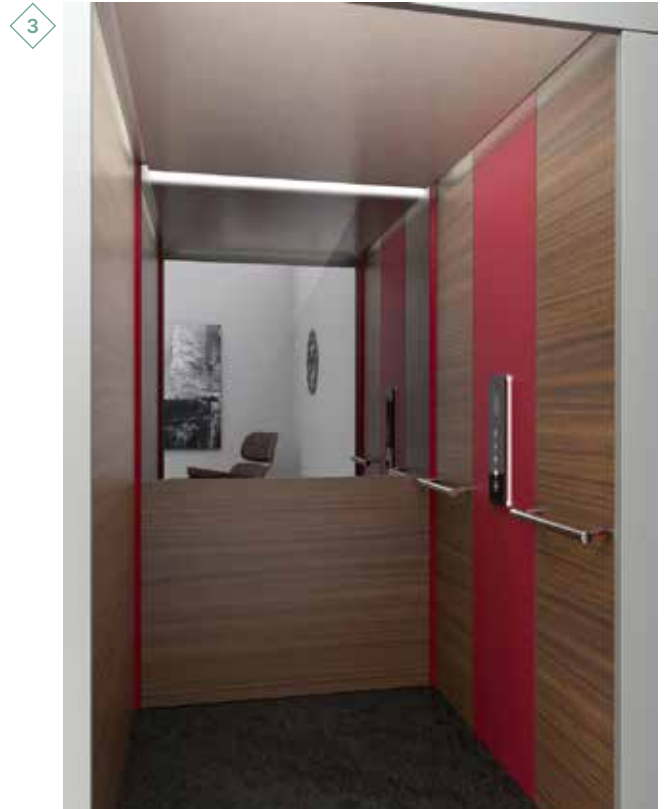
Wall: Texture 3318  
 Accent: Light Grey 7035  
 Ceiling: Plain  
 Flooring: Grey Vinyl  
 Full Height Panoramic wall  
 Handrail: S.Steel 1 piece onto panoramic wall

3 **Classic Asia**

Wall: Dark Wood 4303  
 Accent: Red 3003  
 Ceiling: Plain  
 Flooring: Grey Vinyl  
 Mirror: Half Wall  
 Handrail: S.Steel 2 pieces (\*)



Note: Pictures and veining orientation are purely indicative.



(\*) Handrail S.Steel 2 pieces: for 1400 wide cabin only. Not for Cabin with folding doors at side A and/or C)

1 **Natural Europe**

Wall: Warm Wood 4533  
 Accent: Green 6011  
 Ceiling: Plain  
 Flooring: Grey Carpet  
 Mirror: none  
 Handrail: S.Steel 2 pieces (\*)

2 **Natural Americas**

Wall: Texture 4485  
 Accent: Dark Grey 7012  
 Ceiling: Plain  
 Flooring: Sand Carpet  
 Mirror: none  
 Handrail: S.Steel 2 pieces (\*)

3 **Natural Asia**

Wall: Bright Wood 4367  
 Accent: Green 6011  
 Ceiling: Plain  
 Flooring: Grey Carpet  
 Mirror: none  
 Handrail: S.Steel 2 pieces (\*)



Note: Pictures and veining orientation are purely indicative.



(\*) Handrail S.Steel 2 pieces: for 1400 wide cabin only. Not for Cabin with folding doors at side A and/or C

**1 Modern International**

Wall: Concrete 868  
 Accent: Steel Mirror  
 Ceiling: Plain  
 Flooring: White Stone  
 Mirror: none  
 Handrail: S.Steel 2 pieces (\*)



**2 Natural International**

Wall: Concrete 585  
 Accent: Dark Grey 7012  
 Ceiling: Plain  
 Flooring: White Carpet  
 Mirror: none  
 Handrail: S.Steel 2 pieces (\*)



**3 Classic International**

Wall: Concrete 546  
 Accent: Steel Gold  
 Ceiling: Plain  
 Flooring: Sand Stone  
 Mirror: none  
 Handrail: S.Steel 2 pieces (\*)



(\*) Handrail S.Steel 2 pieces: for 1400 wide cabin only. Not for Cabin with folding doors at side A and/or C)



Note: Pictures and veining orientation are purely indicative.



Dark Grey 7012



Steel Gold

# Doors

## Sliding doors 2 Panels - Lateral opening

- ◆ The standard door net height (HL) is 2000 mm.
- ◆ Optionally 2100 mm for unit in masonry shaft
- ◆ The door frames are 100 mm wide on each side (M1, M2, HD).
- ◆ The door sill of the landing door is 90 mm (Cabin door 70 mm).
- ◆ The frame is 60 mm deep (FD).
- ◆ The opening can be right or left with two panels.
- ◆ The lock release has a triangular key provided with each machine.
- ◆ Standard Installation (DHP = 110 mm) is fully in the shaft.
- ◆ Recess installation is possible with DHP 30,110 mm that means recess value RL = 80,0 mm
- ◆ EI60 and EI120 – Fire & smoke proof doors can be ordered as option at landings, complying with EN 81-58. They cannot be provided with the standard LOP in the door frame. An external Call Box shall be ordered.

| Door clear access (PL) | Total width (1,5 PL + 145) |
|------------------------|----------------------------|
| 600 mm                 | 1045 mm                    |
| 700 mm                 | 1195 mm                    |
| 800 mm                 | 1345 mm                    |
| 900 mm                 | 1495 mm                    |

Nominal dimensions in mm

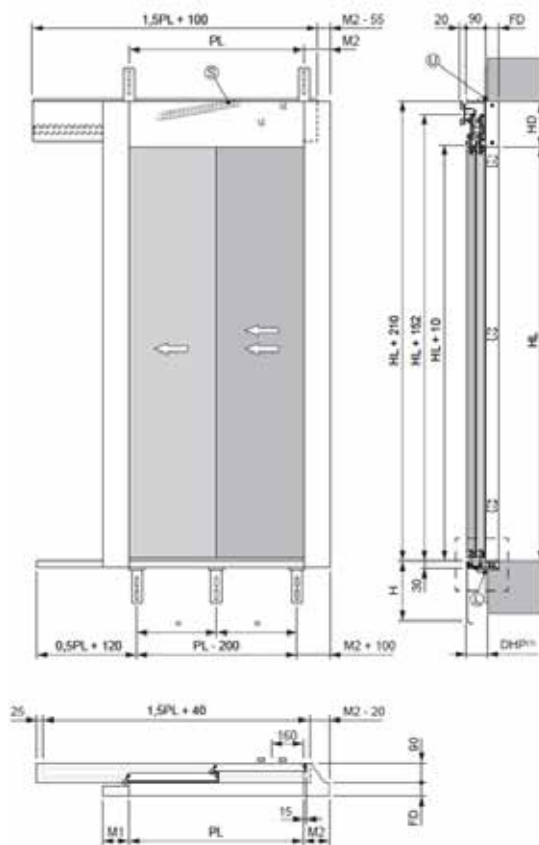
## Sliding doors 2 Panels - Lateral opening - Glass version

- ◆ The glass version has the same dimensions as the blind version
- ◆ The panel dimensions depend on the door clear access as shown in the picture (PL/N+20) where N is the number of panels
- ◆ The frame around the glass has standard dimensions and can be Galvanized Steel pre-painted RAL7032 or Stainless Steel AISI304 Satin finish.  
As option it can be painted in RAL colour at choice.
- ◆ Top and bottom: 120 mm. Lateral: 40 mm and 60 mm

Sample size – lateral open 2 panels - glass version

| Door clear access (PL) | Panel size | Glass Size |
|------------------------|------------|------------|
| 600 mm                 | 320 mm     | 220 mm     |
| 700 mm                 | 370 mm     | 270 mm     |
| 800 mm                 | 420 mm     | 320 mm     |
| 900 mm                 | 470 mm     | 370 mm     |

Nominal dimensions in mm

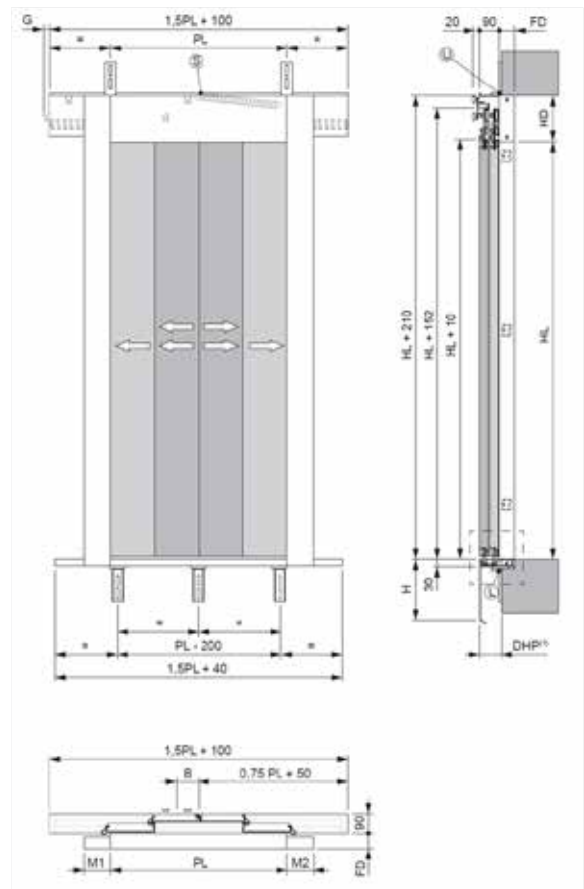


## Sliding doors 4 Panels – Central opening

- ◆ The standard door net height (HL) is 2000 mm.
- ◆ Optionally 2100 mm for unit in masonry shaft
- ◆ The standard door height (HL) is 2000 mm.
- ◆ Optionally 2100 mm for unit in masonry shaft.
- ◆ The door frames are 100 mm wide on each side (M1, M2, HD)
- ◆ The door sill of the landing door is 90 mm (Cabin door 70 mm)
- ◆ The frame is 60 mm deep (FD)
- ◆ The opening is central with four panels.
- ◆ The lock release has a triangular key provided with each machine.
- ◆ Standard Installation (DHP = 110 mm) is fully in the shaft
- ◆ Recess installation is possible with DHP 30,110 mm that means recess value RL = 80,0 mm
- ◆ EI60 and EI120 – Fire & smoke proof doors can be ordered as option at landings, complying with EN 81-58. They cannot be provided with the standard LOP in the door frame. An external Call Box shall be ordered.

| Door clear access (PL) | Total width (1,5 PL + 145) |
|------------------------|----------------------------|
| 600 mm                 | 1040 mm                    |
| 700 mm                 | 1165 mm                    |
| 800 mm                 | 1300 mm                    |
| 900 mm                 | 1450 mm                    |

| PL | 600 | 650 | 700 | ≥750 |
|----|-----|-----|-----|------|
| G  | 40  | 30  | 15  | 0    |

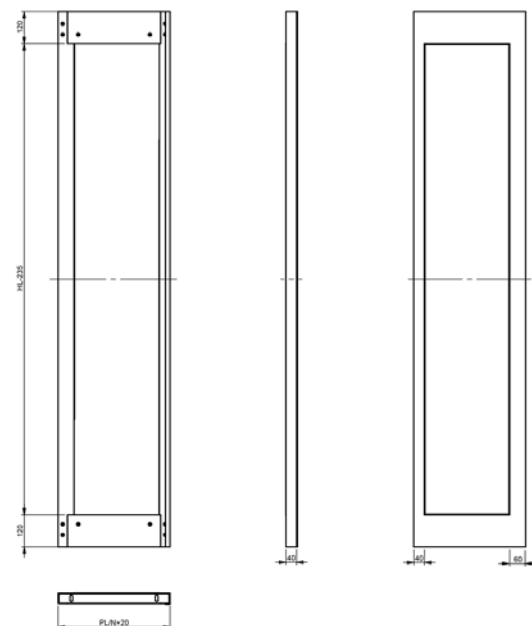


## Sliding doors 4 Panels - Central opening - Glass version

- ◆ The glass version has the same dimensions as the blind version
- ◆ The panel dimensions depend on the door clear access as shown in the picture (PL/N+20) where N is the number of panels
- ◆ The frame around the glass has standard dimensions and can be Galvanized Steel prepainted RAL7032 or Stainless Steel AISI304 Satin finish. As option can be painted in RAL colour at choice.
- ◆ Top and bottom: 120 mm. Lateral: 40 mm and 60 mm

Sample size – central open 4 panels - glass version

| Door clear access (PL) | Panel size | Glass Size |
|------------------------|------------|------------|
| 600 mm                 | 170 mm     | 70 mm      |
| 700 mm                 | 195 mm     | 95 mm      |
| 800 mm                 | 220 mm     | 120 mm     |
| 900 mm                 | 245 mm     | 145 mm     |





## Sliding doors 3 Panels - Lateral opening

- ◆ The standard door net height (HL) is 2000 mm.
- ◆ Optionally 2100 mm for unit in masonry shaft
- ◆ The door frames have dimensions 100 mm on each side (M1, M2, HD).
- ◆ The door sill of the landing door is 135 mm (Cabin door 90 mm).
- ◆ The frame is 60 mm deep (FD).
- ◆ The opening can be right or left with three panels.
- ◆ The lock release has a triangular key provided with each machine.
- ◆ Standard Installation (DHP = 110 mm) is partially recessed in the shaft.
- ◆ The amount of recess is possible with DHP 30,110 mm that means recess value RL = 125,45 mm
- ◆ EI60 and EI120 – Fire & smoke proof doors can be ordered as option at landings, complying with EN 81-58. They cannot be provided with the standard LOP in the door frame. An external Call Box shall be ordered.

| Door clear access (PL) | C       | Total width (C + 45) |
|------------------------|---------|----------------------|
| 600 mm                 | 895 mm  | 940 mm               |
| 700 mm                 | 1030 mm | 1075 mm              |
| 800 mm                 | 1160 mm | 1205 mm              |
| 900 mm                 | 1295 mm | 1340 mm              |

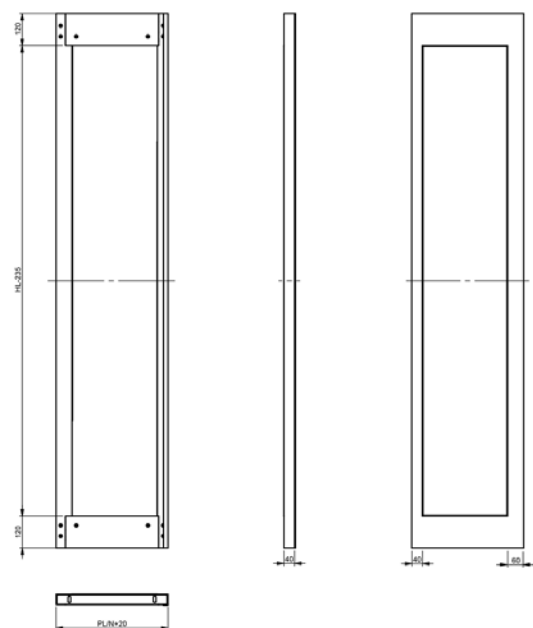
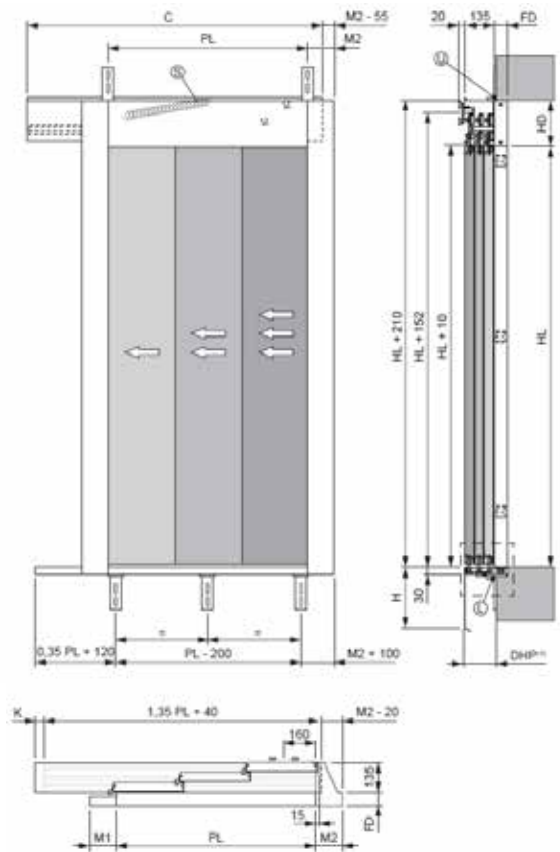
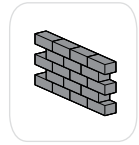
## Sliding doors 3 Panels - Lateral opening - Glass version

- ◆ The glass version has the same dimensions as the blind version
- ◆ The panel dimensions depend on the door clear access as shown in the picture (PL/N+20) where N is the number of panels
- ◆ The frame around the glass has standard dimensions and can be Galvanized Steel prepainted RAL7032 or Stainless Steel AISI304 Satin finish. As option can be painted in RAL colour at choice.
- ◆ Top and bottom: 120 mm. Lateral: 40 mm and 60 mm

Sample size – lateral open 3 panels - glass version

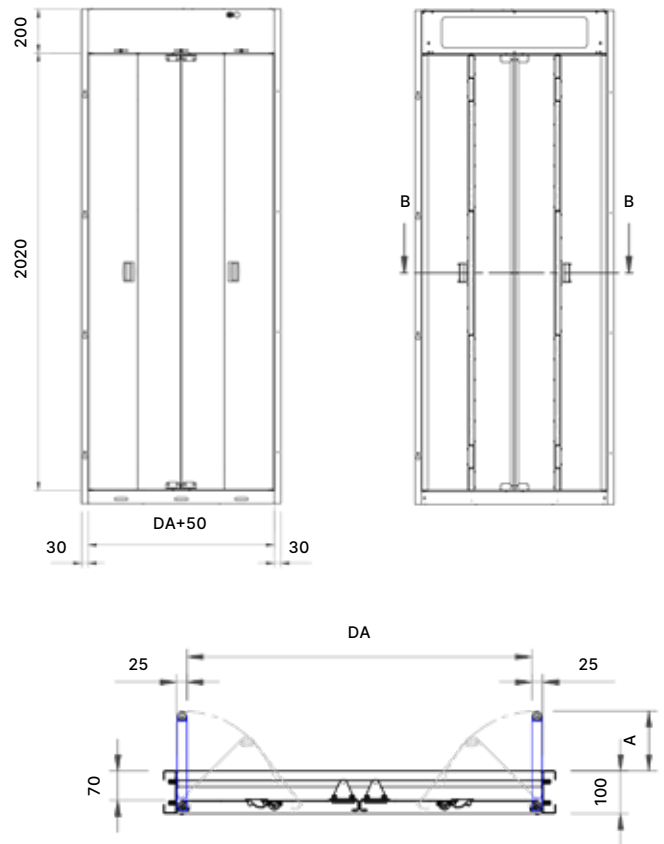
| Door clear access (PL) | Panel size | Glass Size |
|------------------------|------------|------------|
| 600 mm                 | 220 mm     | 120 mm     |
| 700 mm                 | 253 mm     | 153 mm     |
| 800 mm                 | 287 mm     | 187 mm     |
| 900 mm                 | 320 mm     | 220 mm     |

[For Masonry Shaft only]



## Cabin folding doors

- ◆ Four panel central opening.
- ◆ The standard door net height is 2020 mm.
- ◆ Doors with different height are available depending on the cabin height.
- ◆ The door sill of the landing door is 100 mm



| Door clear access [DA] | A      |
|------------------------|--------|
| 600 mm                 | 90 mm  |
| 700 mm                 | 115 mm |
| 800 mm                 | 140 mm |
| 900 mm                 | 165 mm |

“A” is the max encumbrance in the cabin with door opened

Nominal dimensions in millimeters



## Cabin folding doors – Glass version

- ◆ The glass version has the same dimensions as the blind version.
- ◆ Panoramic folding doors are without handles at the inner side.
- ◆ The glass dimension depends on the door clear access as shown in the picture.
- ◆ The frame around the glass has standard dimensions and is in Stainless Steel AISI304 Satin finish. As option can be painted in RAL colour at choice.

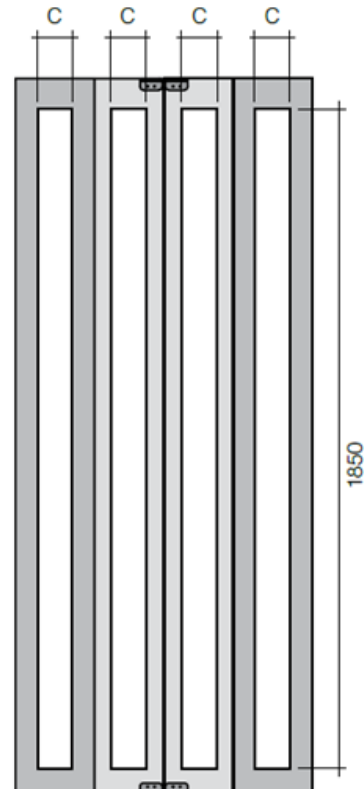


| Door clear access (PL) | Glass Size B | Glass Size C |
|------------------------|--------------|--------------|
| 600 mm                 | 65 mm        | 97 mm        |
| 700 mm                 | 90 mm        | 122 mm       |
| 800 mm                 | 115 mm       | 147 mm       |
| 900 mm                 | 140 mm       | 171 mm       |

Pictures for door height 2020 mm  
Nominal dimensions in millimeters

**B** = Door clear access/4 - 85

**C** = Door clear access/4 - 53



# Swing Landing Doors

## General information

The landing doors installed at each landing are made of steel.

Doors can be blind or panoramic.

The standard door height is 2000 mm. Doors 1900 mm and 2100 mm are available as option for unit in masonry shaft.

All doors are painted in RAL 9010 (White) but can be as an option

- ◆ painted in any RAL colour
- ◆ covered in stainless steel satin finish (AISI 441 or 304 or 316)

The door frame is in the same finish as the door.

Panoramic doors have a safety glass 10/11 mm thick.

Standard is with transparent glass.

Optional: Smokey Grey, Smokey Satin, Opaline or Half Reflecting glass.

The profiles around the glass are made of aluminium.

The profiles can be painted in any RAL colour as an option.

All doors can be left or right hinged. Doors are always delivered with door frames. It is not possible to order the door or the frame separately.



## Panoramic door

Door with one glass window.

**Opening widths:** 600, 650, 700, 750, 800, 850, 900 mm

**Opening height:** Standard 2000 mm. Option 1900 mm; 2100 mm for masonry shaft; ask for feasibility in case of metal shaft.

Different dimensions could be available on specific request.

**Glass window (\*):** 470×1600 mm (700 mm wide door)  
570×1600 mm (800 mm wide door)  
670×1600 mm (900 mm wide door)

### Standard:

- ◆ Door and door frame in RAL 9010 (White)
- ◆ Glass window: Transparent

### Options:

- ◆ Door and door frame in other RAL colour
- ◆ Glass window: Smokey Grey, Smokey Satin, Opaline or Half Reflecting.

(\* Dimensions might slightly differ for different batches



## Door frame and actual height

The door frames have dimensions 100 mm on each side and at the top.

In case of automatic door opener for doors in concrete shaft the top frame will be 140 mm instead of 100 mm.

Side door frames are feasible on request with dimensions between 60,125 mm.

In this case there are some constraints on LOP availability and Door dimensions .

- ◆ For dimensions 100,125 mm there are no constrains.
- ◆ For dimensions 75,99 mm LOPs on door frame are still available, with reduced width and without display.
- ◆ For dimensions 60,74 mm
  - LOPs on door frame are not available. Only external Call Boxes are possible.
  - Door lock is installed in the top frame.
  - Maximum Door possible is 800 mm wide

| Door net width (mm) | Door total width including standard frame (mm) | Standard Door net height (mm) | Standard Door total height including frame (mm) |
|---------------------|--|-------------------------------|---|
| 600                 | 800  | 2000                          | 2100/2140                                       |
| 650                 | 850  | 2000                          | 2100/2140                                       |
| 700                 | 900  | 2000                          | 2100/2140                                       |
| 750                 | 950  | 2000                          | 2100/2140                                       |
| 800                 | 1000   | 2000                          | 2100/2140                                       |
| 850                 | 1050   | 2000                          | 2100/2140                                       |
| 900                 | 1100   | 2000                          | 2100/2140                                       |



Blind Door



Panoramic Door

## EI120 – Fire & smoke proof door

Fire & smoke proof doors comply with EN 81-58.

EI doors are blind without any glass window.  
 EI doors are provided with their own specific handle  
 EI doors are always delivered with a frame.  
 The door frames have dimensions 100 mm on each side.  
 EI doors >=650 mm are compatible with external door opener.  
 EI doors are not compatible with internal door closer.

It cannot be provided with the standard LOP in the door frame.  
 An external Call Box shall be ordered.

**Opening width:** 600, 650, 700, 750, 800, 850, 900 mm

**Opening height:** Standard 2000 mm.  
 Option 1900 mm, 2100 mm for masonry shaft;  
 ask for feasibility in case of metal shaft.

**Standard:** Door and door frame in RAL 9010 (White)

**Options:** Door and door frame in other RAL colour



Fireproof Door

# Door options

## Door handle

One stainless steel handle is provided as standard with each landing door.

Optionally a longer handle with modern design can be ordered

Standard "Techno": 207 mm

Optional "Modern": 330 mm Ø 20 mm



Standard doors are semi-automatic which means that they are opened manually and they close automatically. The closing speed and time cannot be adjusted.

## External door opener - optional

An automatic door opener can be ordered as option. It opens and closes the door automatically. Door opening / closing time and speed are adjustable.

The cover is always painted white.

Only for doors with Clear Access  $\geq 650$ mm.

Also applicable to EI120 Fire & Smoke Proof Doors



## Internal door closer - optional

It closes the door automatically. It is built into the door frame and is invisible from the outside. Optionally, it includes the function to keep the door open until the user manually closes the door. Closing speed can be adjusted.

Only for doors with Clear Access  $\geq 650$ mm.



## Door control

The door control is placed on the door frame of each landing door.

Optionally it is possible to have it placed away from the lift as an additional external control box.

## Door control on door frame

Door control placed on the door frame on the lift.

In case of specific door frames (different from 100 mm) there is a reduced range of control types available. Please refer to Swing Doors section

### Door faceplate

The door faceplate is Stainless Steel as standard.

The door faceplate can include:

- ◆ Call button
- ◆ Key switch
- ◆ i-button
- ◆ LCD display
- ◆ Key switch prepared for EUROKEY (Model 393/211)



### Key switch / School locking

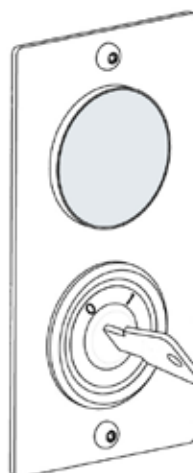
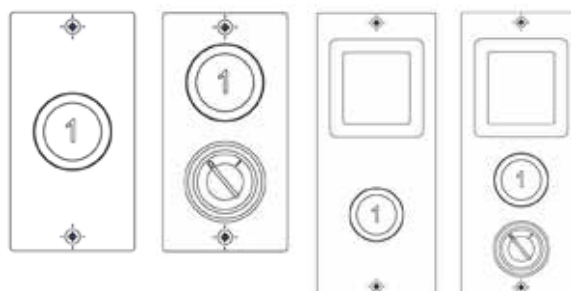
Instead of having a normal call button on the door faceplate, a key switch is possible. The user needs to have the key to be able to call and access the lift. It includes school locking function which automatically locks the door after an adjustable time.

We can provide one key switch per door only.

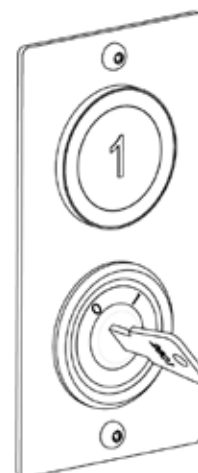
### Call button

The call button comes with a background lit frame which indicates the status of the lift.

- ◆ Green light indicates that the lift is at your floor. Lit only on the floor where the platform is at the moment.
- ◆ Red light indicates that the lift is occupied. It is busy and you can't call it. In case of cabin with doors, call reservation is possible.
- ◆ The flashing light indicates that the security circuit is broken. The flashing light can also be activated by an alarm, more information is then available in the service memory.



Operation Key + lit signal



Enabling Key + Push Button

## Cable or Radio control station – placed away from lift

Door control placed away from the lift in an external call box connected to the lift via a cable or wireless.

Wireless is valuable to minimize the cabin works at installation site.

**Size:** 130×70×55 mm without display  
220×95×55 mm with display

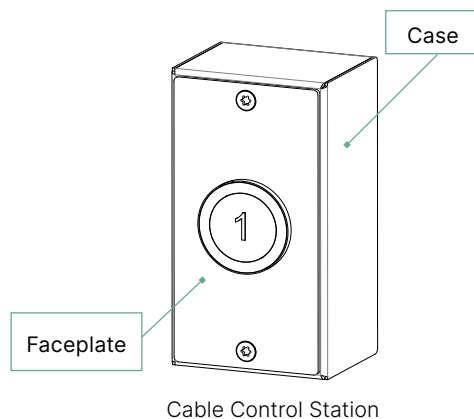
**Finish:** The faceplate is stainless steel satin.  
The case of the call boxes for surface mounting is painted RAL9010.

The call box can be Surface Mounted or Flush Mounted.  
It can be ordered in addition to the standard faceplate at landing or as remote sender from a specified floor to a different specified destination floor.  
Max 1 remote sender per floor. Push button only.

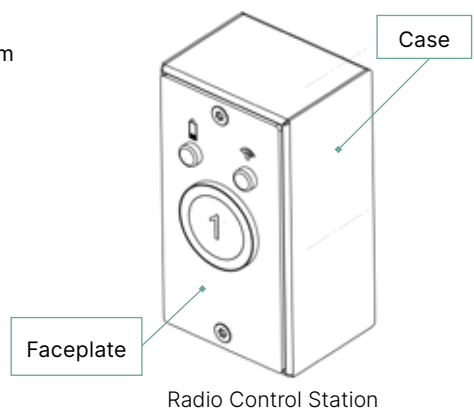
The Radio control station is available in three different configurations:

- ◆ Push Button only
- ◆ On/off Key switch + push button
- ◆ Prepared for Eurokey

The radio control station cannot be configured with a display.



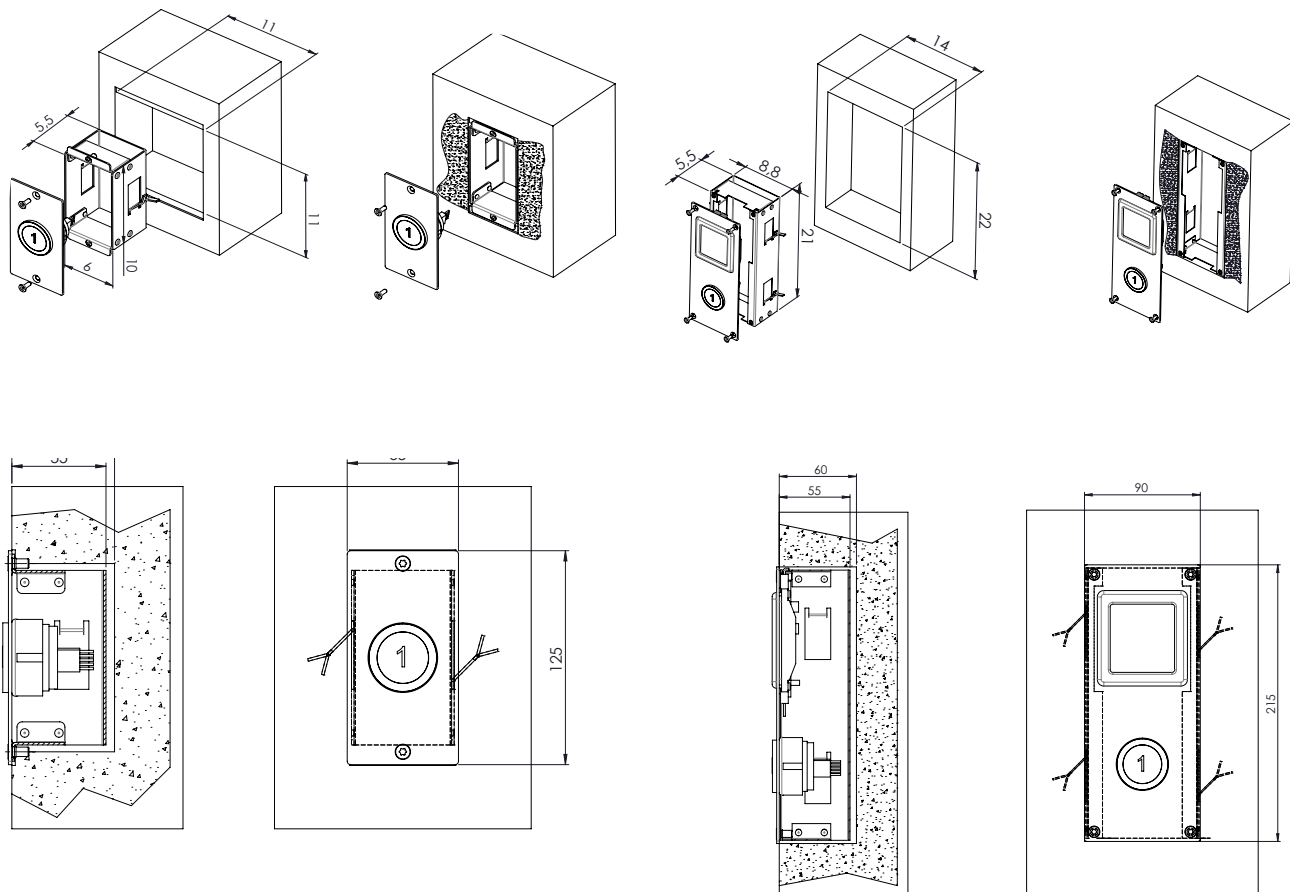
Cable Control Station



Radio Control Station

## Call box for flush wall mounting

Reccomended dimensions for mounting





## Landing indicator on door

Digital display positioned at the door frame. It shows which floor the lift is on at the moment.

The landing indicator can also show the following system information:

- ◆ Direction of the lift when travelling
- ◆ A bell when the alarm button has been pressed.
- ◆ A weight symbol will appear if the lift is overloaded.
- ◆ Error code for diagnostics
- ◆ Out of service state

Can be ordered as option. For Indoor application.  
For doors with standard frame 100 mm or wider.



# Shaft structure

Altura Platinum can be delivered with its own patent pending metallic shaft.

The required headroom for the shaft structure (distance from top floor to top of shaft) depends on the type of top roof and landing doors. This includes a free height of 30mm between metal shaft roof and building for installation purpose.

Elongation of the shaft is possible. (up to 3000 mm).

All the four sides will be cladded by shaft panels in steel or glass. Panels can be delivered for mounting with silicon or with gasket.

It is highly recommended to use steel panel on side G.

The lowest and the top panels on the guide side are always provided with a round axial aerator.

Typical Required Headroom with standard cabin (2100 mm). Please refer to "Feasibility information" section for further details

| Model  | Cabin without Doors | Cabin Folding Doors | Cabin Sliding Doors   |
|--|---------------------|---------------------|---|
| Platinum in concrete shaft                     | 2300 mm             | 2320 mm             | 2450 mm (2P/4C photocells)<br>2500 mm (3P photocells; light curtains) |
| Platinum metal shaft header diagonals - indoor | 2450 mm             | 2450 mm             | 2590 mm   |
| Platinum metal shaft flat roof - indoor        | 2470 mm             | 2470 mm             | 2610 mm   |
| Platinum metal shaft inclined roof - outdoor   | 2490 mm             | 2490 mm             | 2630 mm   |

## Shaft ceiling type

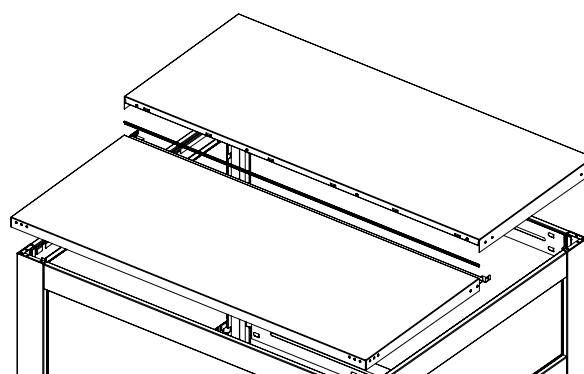
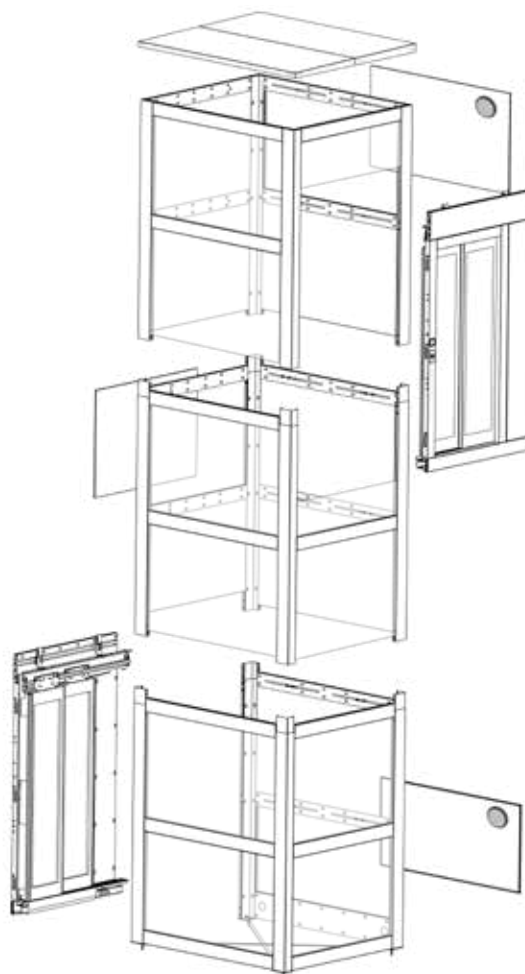
- ◆ Header diagonal (roof not covered)
- ◆ Flat roof 1 or 2 pieces, depending on dimensions
- ◆ Inclined roof 1 or 2 pieces, depending on dimensions

## Ramp

If the lift is installed without a pit, a ramp is mandatory according to EN81.41. Please check compliance to local regulations.

Usually a boardwalk with low incline is executed at the building site.

Optionally we can provide a ramp 120 mm high and 1000 mm long, made of aluminium and preventing slipping.

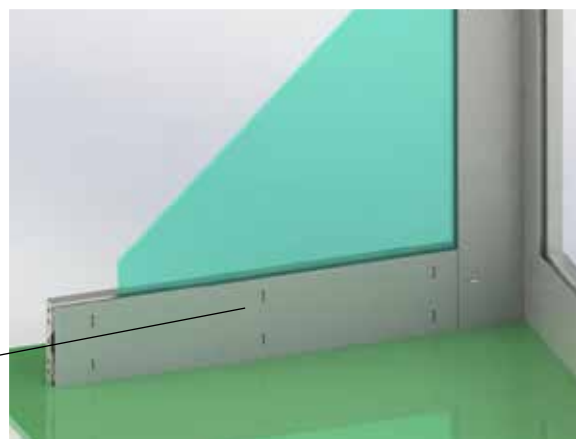
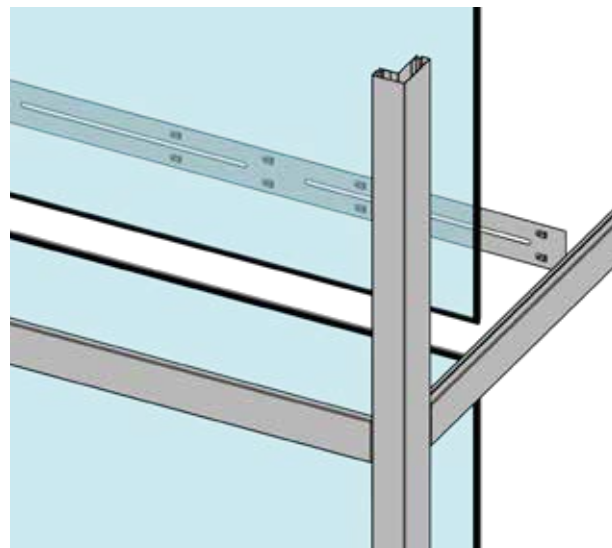
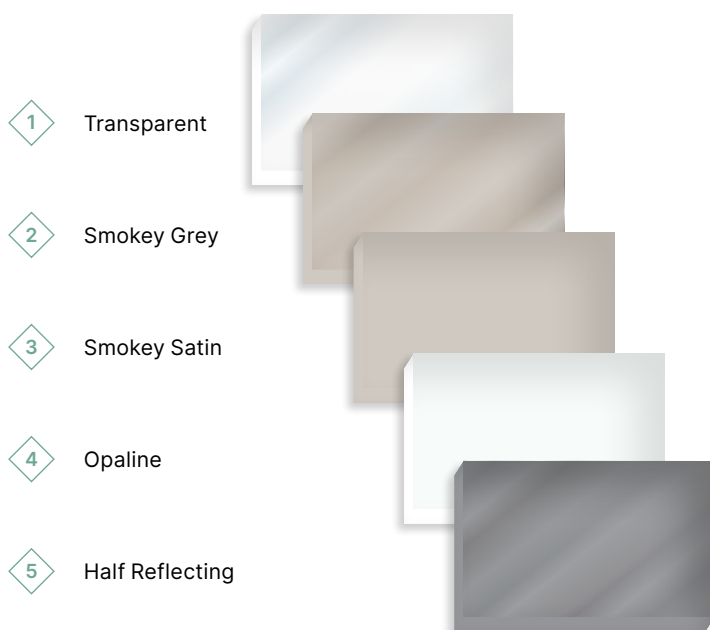


## Shaft panels

Galvanized steel panels RAL painted at customer choice.  
**Glass panels with laminated safety glass 8/9 mm** or a mix of the two on different sides of the shaft.

The perimetral gasket is suggested for faster installation.  
 Sealing by silicon is recommended in heavy rain environment.

Different types of glass are available:



### Easy Snap System

The snap-lock fastening system permits a quick installation of the horizontal and vertical cladding frames without any additional fastening element.



### Essential Panels

If your preference is for a conventional solution or higher thickness safety glasses are needed, different shaft panels are available with the following Essential features:

- Glass panels with laminated safety glass 10/11 mm**
- Silicon instead of gasket for the shaft panels**

In case of application in heavy rain environment, panels with silicon are recommended.

# Feasibility Information

## Narrow to Wide

The Altura Platinum is provided with different layouts according to the cabin dimensions. The distance between guides (DBG) can vary depending on the platform/cabin width.

FPR - Full Panel Wall with Ceiling  
NDC - Cabin without Doors  
FDC - Cabin with Folding Doors  
SDC - Cabin with Sliding Doors

The feasibility diagram explains the limits for platform dimensions (CW xCD) based on technical feasibility.

As a standard rule, Altura Platinum will be designed and delivered considering the minimum nominal load according to the EN81-41 which states 250 kg/m<sup>2</sup> unless differently specified for the destination country.

In case you would like to have an higher rated load, it's highly recommended to specify it at order stage because the calculation will change accordingly.

Feasibility diagrams for the different configurations are included in the DGM Annex to this catalog. They include formula From Cabin to Shaft and viceversa; Minimum dimensions needed for door's type.

Some limitations exist for higher travel and heavier cabins. Please refer to "Higher Travel" section in next pages.

## Typical dimensions

In these catalogue we have preselected some typical plan sizes which represent the most frequently ordered ones, worldwide.

These are our "**Predefined plan sizes**", completely described in this catalogue. These are available as a standard solution, including the preselected door sizes and types.

It is always possible to ask for different cabin dimensions or door types and door displacements, provided these are within our feasibility and offer portfolio.

Our engineers will design the lift according to your specific requirements, with extra delivery time and extra price.

We can distinguish among:

- ◆ "**Modular plan sizes**" which are designed using the standard modular elements of our metal shaft structure
- ◆ "**Customized plan sizes**" which differ from the "**Predefined**" or "**Modular**" ones for **doors size, door jambs or door displacement**.
- ◆ "**At measure plan sizes**" - which are instead completely customised.

Please note there are no Predefined plan sizes with 3 panels sliding doors. Please refer to the annexes and contact us for further information.



## Panoramic Sides for Cabins

This table apply for travel lower than 12600 mm only.

For panoramic sides we intend panoramic walls and/or panoramic doors. **A mirror can be compared to a panoramic side.**

There are no limitations in combining finishes and optional items for cabins with floor area smaller than **1,44 m<sup>2</sup>** (load 360 kg)

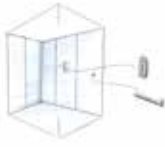
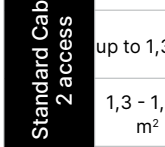

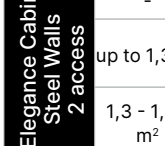

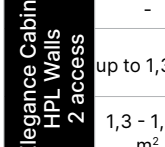
For cabins bigger than **1,44 m<sup>2</sup>** some limitations exist when combining panoramic sides with other heavy elements like rocksolid floor or external cladding panels. In these cases, a feasibility check might be needed for the configuration of additional options from our catalogue

Please see below table and contact us for further informations.

- ◆ "full availability" means there are no limitations. Any available option can be configured.
- ◆ "Weight check" means that cabins are feasible with Carpet or PVC Floor only; for the smallest cabins in the range also Rocksolid or external coating panels.
- ◆ "Carpet or PVC floor only" means you cannot have a Rocksolid floor or external coating panels.
- ◆ "Feasibility check" means that in this range only the smallest cabins with no options might be eventually feasible.

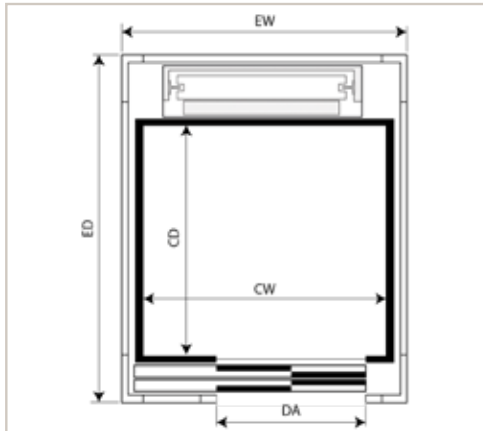
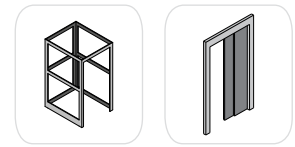
Outside Europe, local regulations can state different minimum rated load with a resulting wider feasibility.

Feasibility Tables according to EN code - rated load 250 kg/m<sup>2</sup> - Travel lower than 12600 mm

|   | Floor Area                | Number of Panoramic Sides |                          |                          |
|---|---------------------------|---------------------------|--------------------------|--------------------------|
|   |                           | 1                         | 2                        | 3                        |
| <br>Standard Cabin<br>1 access                 | -                         | 1                         | 2                        | 3                        |
|   | up to 1,3 m <sup>2</sup>  | full availability         | full availability        | full availability        |
|   | 1,3 - 1,44 m <sup>2</sup> | full availability         | full availability        | full availability        |
|   | > 1,44 m <sup>2</sup>     | full availability         | full availability        | full availability        |
| <br>Standard Cabin<br>2 access                | -                         | 1                         | 2                        | 3                        |
|   | up to 1,3 m <sup>2</sup>  | full availability         | full availability        | full availability        |
|   | 1,3 - 1,44 m <sup>2</sup> | full availability         | full availability        | full availability        |
|   | > 1,44 m <sup>2</sup>     | full availability         | full availability        | Weight check             |
| <br>Elegance Cabin<br>Steel Walls<br>1 access  | -                         | 1                         | 2                        | 3                        |
|   | up to 1,3 m <sup>2</sup>  | full availability         | full availability        | full availability        |
|   | 1,3 - 1,44 m <sup>2</sup> | full availability         | full availability        | full availability        |
|   | > 1,44 m <sup>2</sup>     | full availability         | Weight check             | Carpet or PVC floor only |
| <br>Elegance Cabin<br>Steel Walls<br>2 access | -                         | 1                         | 2                        | 3                        |
|   | up to 1,3 m <sup>2</sup>  | full availability         | full availability        | full availability        |
|   | 1,3 - 1,44 m <sup>2</sup> | full availability         | full availability        | full availability        |
|   | > 1,44 m <sup>2</sup>     | Weight check              | Carpet or PVC floor only | Feasibility Check        |
| <br>Elegance Cabin<br>HPL Walls<br>1 access    | -                         | 1                         | 2                        | 3                        |
|   | up to 1,3 m <sup>2</sup>  | full availability         | full availability        | full availability        |
|   | 1,3 - 1,44 m <sup>2</sup> | full availability         | full availability        | full availability        |
|   | > 1,44 m <sup>2</sup>     | Weight check              | Weight check             | Carpet or PVC floor only |
| <br>Elegance Cabin<br>HPL Walls<br>2 access   | -                         | 1                         | 2                        | 3                        |
|   | up to 1,3 m <sup>2</sup>  | full availability         | full availability        | full availability        |
|   | 1,3 - 1,44 m <sup>2</sup> | full availability         | full availability        | full availability        |
|   | > 1,44 m <sup>2</sup>     | Carpet or PVC floor only  | Feasibility Check        | Feasibility Check        |

## Predefined plan sizes - Sliding Doors

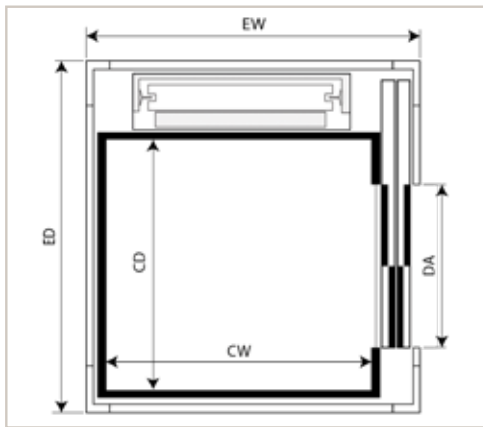
In case of no different notice doors are lateral opening two panels (2P).  
(4P) stands for four panel central opening



### Frontal access

Configurations in accordance to the EN 81-41 in grey

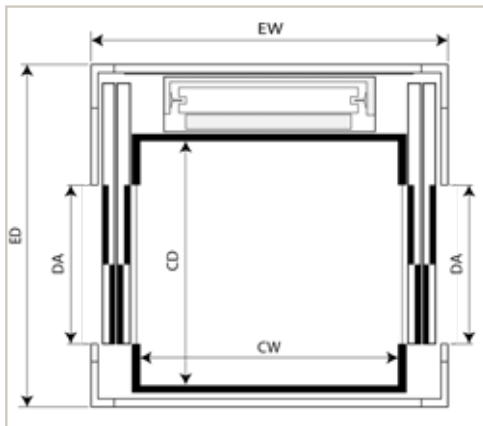
|            | P1       | P2       | P3        | P4        | P5 | P6       | P7        | P8        |
|------------|----------|----------|-----------|-----------|----|----------|-----------|-----------|
| Nominal    | 900×1200 | 1000×800 | 1000×1000 | 1200×1000 | -  | 1400×900 | 1400×1000 | 1400×1100 |
| CW         | 900      | 1080     | 1000      | 1200      | -  | 1400     | 1400      | 1400      |
| CD         | 1235     | 835      | 1035      | 1035      | -  | 935      | 1035      | 1135      |
| EW         | 1200     | 1300     | 1200      | 1400      | -  | 1600     | 1600      | 1600      |
| ED         | 1850     | 1450     | 1650      | 1650      | -  | 1550     | 1650      | 1750      |
| DA         | 600      | 600      | 600       | 700       | -  | 850      | 850       | 850       |
| Rated Load | 280      | 250      | 260       | 315       |    | 330      | 365       | 400       |



### Lateral access

Configurations in accordance to the EN 81-41 in grey

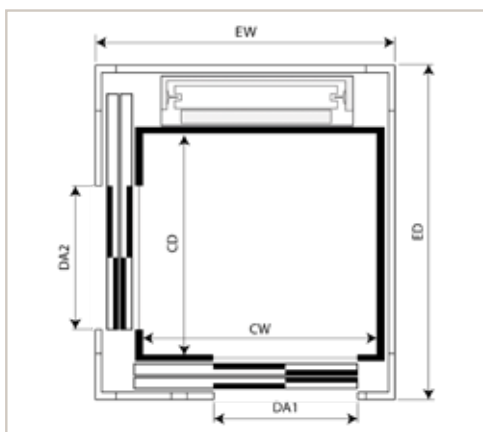
|            | P1       | P2       | P3        | P4        | P5 | P6       | P7        | P8        |
|------------|----------|----------|-----------|-----------|----|----------|-----------|-----------|
| Nominal    | 900×1200 | 1000×800 | 1000×1000 | 1200×1000 | -  | 1400×900 | 1400×1000 | 1400×1100 |
| CW         | 910      | 1010     | 1010      | 1210      | -  | 1410     | 1410      | 1410      |
| CD         | 1205     | 855      | 1055      | 1055      | -  | 905      | 1055      | 1135      |
| EW         | 1300     | 1400     | 1400      | 1600      | -  | 1800     | 1800      | 1800      |
| ED         | 1650     | 1300     | 1500      | 1500      | -  | 1350     | 1500      | 1650      |
| DA         | 900      | 650      | 800       | 800       | -  | 700      | 800       | 900       |
| Rated Load | 275      | 250      | 270       | 320       |    | 320      | 375       | 400       |



### Opposite accesses

Configurations in accordance to the EN 81-41 in grey

|            | P1       | P2       | P3        | P4        | P5 | P6       | P7        | P8        |
|------------|----------|----------|-----------|-----------|----|----------|-----------|-----------|
| Nominal    | 900×1200 | 1000×800 | 1000×1000 | 1200×1000 | -  | 1400×900 | 1400×1000 | 1400×1100 |
| CW         | 890      | 1040     | 1040      | 1240      | -  | 1400     | 1400      | 1400      |
| CD         | 1235     | 835      | 1035      | 1035      | -  | 905      | 1035      | 1135      |
| EW         | 1450     | 1600     | 1600      | 1800      | -  | 1960     | 1960      | 1960      |
| ED         | 1700     | 1300     | 1500      | 1500      | -  | 1350     | 1500      | 1650      |
| DA         | 900      | 650      | 800       | 800       | -  | 700      | 800       | 900       |
| Rated Load | 275      | 250      | 270       | 325       |    | 320      | 365       | 400       |



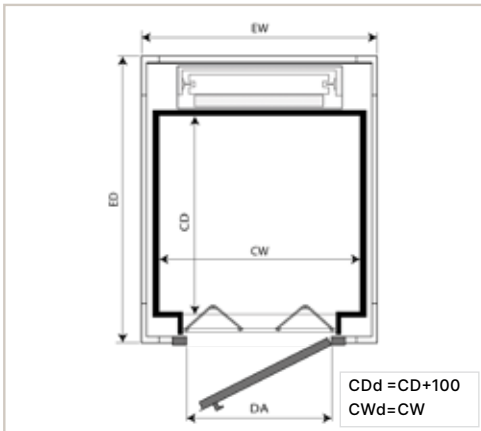
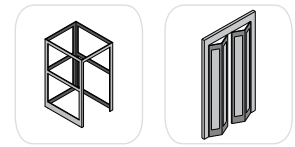
### Adjacent accesses (2Panels)

Configurations in accordance to the EN 81-41 in grey

|            | P1       | P2       | P3        | P4        | P5        | P6       | P7        | P8        |
|------------|----------|----------|-----------|-----------|-----------|----------|-----------|-----------|
| Nominal    | 900×1200 | 1000×800 | 1000×1000 | 1200×1000 | 1200×1200 | 1400×900 | 1400×1000 | 1400×1100 |
| CW         | -        | 1010     | 1010      | 1210      | 1210      | 1410     | 1410      | 1410      |
| CD         | -        | 835      | 1035      | 1035      | 1235      | 935      | 1035      | 1135      |
| EW         | -        | 1400     | 1400      | 1600      | 1600      | 1800     | 1800      | 1800      |
| ED         | -        | 1450     | 1650      | 1650      | 1850      | 1550     | 1650      | 1750      |
| DA1        | -        | 700      | 650       | 800       | 800       | 900      | 900       | 900       |
| DA2        | -        | 600      | 750       | 750       | 900       | 700      | 750       | 800       |
| Rated Load | -        | 250      | 265       | 315       | 375       | 330      | 365       | 400       |

## Predefined plan sizes - Folding Doors

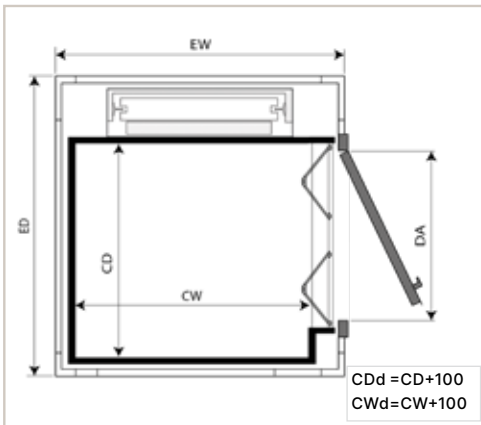
In case of measurement Door to Door (CDd and CWd - pag.8), please consider additional 100 mm for each access



### Frontal access

Configurations in accordance to the EN 81-41 in grey

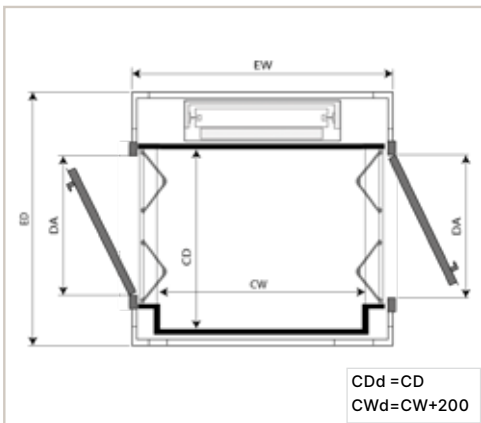
|            | P1       | P2       | P3        | P4        | P5 | P6       | P7        | P8        |
|------------|----------|----------|-----------|-----------|----|----------|-----------|-----------|
| Nominal    | 900×1200 | 1000×800 | 1000×1000 | 1200×1000 | -  | 1400×900 | 1400×1000 | 1400×1100 |
| CW         | 920      | 1000     | 1000      | 1200      | -  | 1400     | 1400      | 1400      |
| CD         | 1225     | 825      | 1025      | 1025      | -  | 925      | 1025      | 1125      |
| EW         | 1200     | 1200     | 1200      | 1400      | -  | 1600     | 1600      | 1600      |
| ED         | 1750     | 1350     | 1550      | 1550      | -  | 1450     | 1550      | 1650      |
| DA         | 800      | 800      | 800       | 900       | -  | 900      | 900       | 900       |
| Rated Load | 285      | 250      | 260       | 310       | -  | 325      | 360       | 400       |



### Lateral access

Configurations in accordance to the EN 81-41 in grey

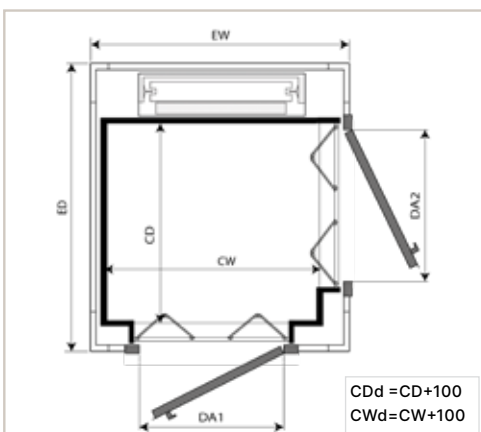
|            | P1       | P2       | P3        | P4        | P5 | P6       | P7        | P8        |
|------------|----------|----------|-----------|-----------|----|----------|-----------|-----------|
| Nominal    | 900×1200 | 1000×800 | 1000×1000 | 1200×1000 | -  | 1400×900 | 1400×1000 | 1400×1100 |
| CW         | 900      | 1000     | 1000      | 1200      | -  | 1400     | 1400      | 1400      |
| CD         | 1205     | 805      | 1005      | 1005      | -  | 905      | 1005      | 1105      |
| EW         | 1200     | 1300     | 1300      | 1500      | -  | 1700     | 1700      | 1700      |
| ED         | 1650     | 1250     | 1450      | 1450      | -  | 1350     | 1450      | 1550      |
| DA         | 900      | 650      | 850       | 850       | -  | 750      | 850       | 900       |
| Rated Load | 275      | 250      | 255       | 310       | -  | 320      | 355       | 400       |



### Opposite accesses

Configurations in accordance to the EN 81-41 in grey

|            | P1       | P2       | P3        | P4        | P5 | P6       | P7        | P8        |
|------------|----------|----------|-----------|-----------|----|----------|-----------|-----------|
| Nominal    | 900×1200 | 1000×800 | 1000×1000 | 1200×1000 | -  | 1400×900 | 1400×1000 | 1400×1100 |
| CW         | 920      | 1020     | 1020      | 1220      | -  | 1420     | 1420      | 1420      |
| CD         | 1205     | 805      | 1005      | 1005      | -  | 905      | 1005      | 1105      |
| EW         | 1300     | 1400     | 1400      | 1600      | -  | 1800     | 1800      | 1800      |
| ED         | 1650     | 1250     | 1450      | 1450      | -  | 1350     | 1450      | 1550      |
| DA         | 900      | 650      | 850       | 850       | -  | 750      | 850       | 900       |
| Rated Load | 280      | 250      | 260       | 310       | -  | 325      | 360       | 400       |



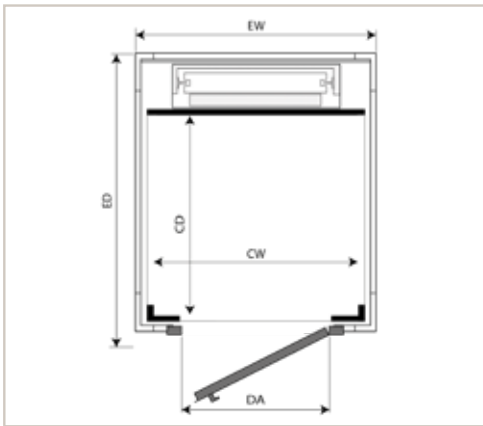
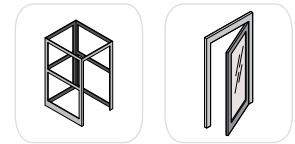
### Adjacent accesses

Configurations in accordance to the EN 81-41 in grey

|            | P1       | P2       | P3        | P4        | P5        | P6       | P7        | P8        |
|------------|----------|----------|-----------|-----------|-----------|----------|-----------|-----------|
| Nominal    | 900×1200 | 1000×800 | 1000×1000 | 1200×1000 | 1200×1200 | 1400×900 | 1400×1000 | 1400×1100 |
| CW         | 900      | 1000     | 1000      | 1200      | 1200      | 1400     | 1400      | 1400      |
| CD         | 1225     | 825      | 1025      | 1025      | 1225      | 925      | 1025      | 1125      |
| EW         | 1200     | 1300     | 1300      | 1500      | 1500      | 1700     | 1700      | 1700      |
| ED         | 1750     | 1350     | 1550      | 1550      | 1750      | 1450     | 1550      | 1650      |
| DA1        | 700      | 800      | 800       | 900       | 900       | 900      | 900       | 900       |
| DA2        | 900      | 650      | 800       | 850       | 900       | 750      | 850       | 900       |
| Rated Load | 280      | 250      | 260       | 305       | 370       | 325      | 360       | 400       |



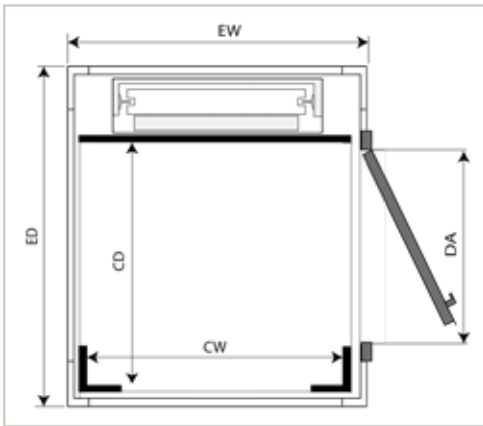
# Predefined plan sizes - Full Panel with Ceiling and Cabin w/o Doors



## Frontal access

Configurations in accordance to the EN 81-41 in grey

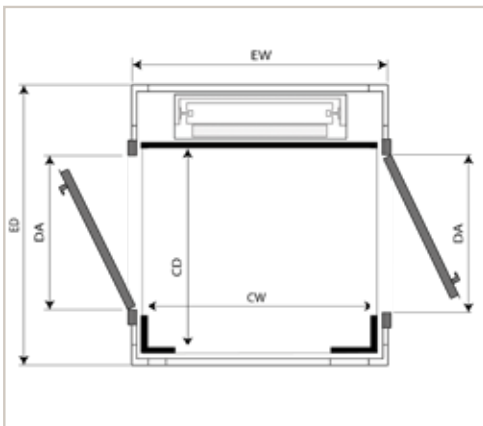
|            | P1       | P2       | P3        | P4        | P5        | P6       | P7        | P8        |
|------------|----------|----------|-----------|-----------|-----------|----------|-----------|-----------|
| Nominal    | 900×1200 | 1000×800 | 1000×1000 | 1200×1000 | 1200×1200 | 1400×900 | 1400×1000 | 1400×1100 |
| CW         | 900      | 1000     | 1000      | 1200      | 1200      | 1400     | 1400      | 1400      |
| CD         | 1225     | 825      | 1025      | 1025      | 1225      | 925      | 1025      | 1125      |
| EW         | 1100     | 1200     | 1200      | 1400      | 1400      | 1600     | 1600      | 1600      |
| ED         | 1650     | 1250     | 1450      | 1450      | 1650      | 1350     | 1450      | 1550      |
| DA         | 700      | 700      | 800       | 900       | 900       | 900      | 900       | 900       |
| Rated Load | 280      | 250      | 260       | 310       | 370       | 325      | 360       | 400       |



## Lateral access

Configurations in accordance to the EN 81-41 in grey

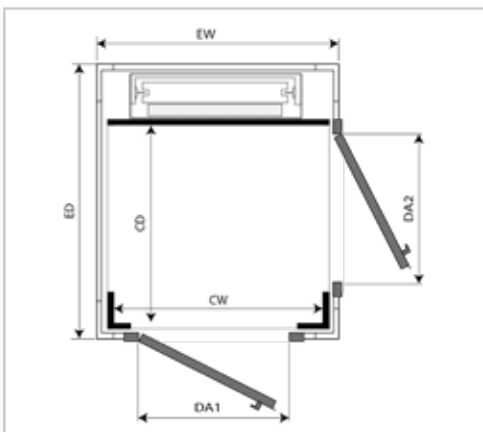
|            | P1       | P2       | P3        | P4        | P5        | P6       | P7        | P8        |
|------------|----------|----------|-----------|-----------|-----------|----------|-----------|-----------|
| Nominal    | 900×1200 | 1000×800 | 1000×1000 | 1200×1000 | 1200×1200 | 1400×900 | 1400×1000 | 1400×1100 |
| CW         | 900      | 1000     | 1000      | 1200      | 1200      | 1400     | 1400      | 1400      |
| CD         | 1225     | 825      | 1025      | 1025      | 1225      | 925      | 1025      | 1125      |
| EW         | 1100     | 1200     | 1200      | 1400      | 1400      | 1600     | 1600      | 1600      |
| ED         | 1650     | 1250     | 1450      | 1450      | 1650      | 1350     | 1450      | 1550      |
| DA         | 900      | 700      | 850       | 900       | 900       | 800      | 900       | 900       |
| Rated Load | 280      | 250      | 260       | 310       | 370       | 325      | 360       | 400       |



## Opposite accesses

Configurations in accordance to the EN 81-41 in grey

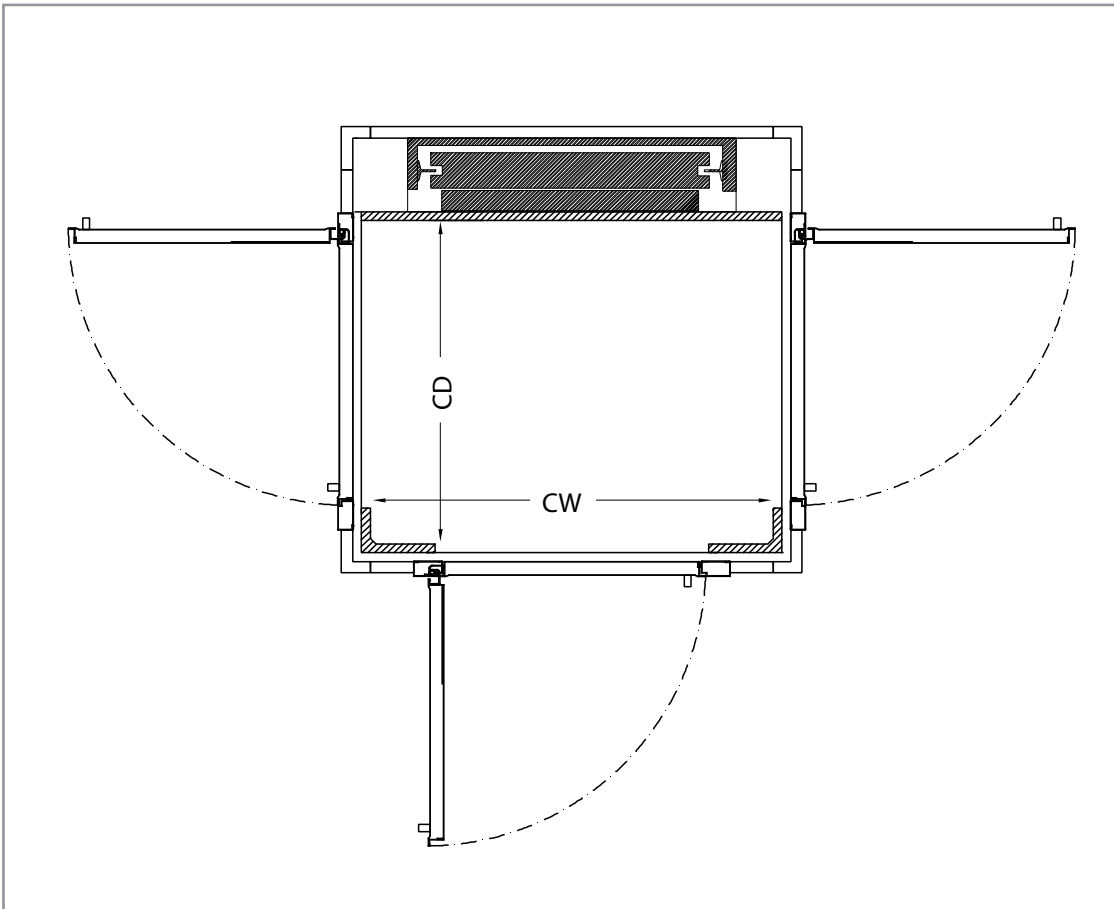
|            | P1       | P2       | P3        | P4        | P5        | P6       | P7        | P8        |
|------------|----------|----------|-----------|-----------|-----------|----------|-----------|-----------|
| Nominal    | 900×1200 | 1000×800 | 1000×1000 | 1200×1000 | 1200×1200 | 1400×900 | 1400×1000 | 1400×1100 |
| CW         | 900      | 1000     | 1000      | 1200      | 1200      | 1400     | 1400      | 1400      |
| CD         | 1225     | 825      | 1025      | 1025      | 1225      | 925      | 1025      | 1125      |
| EW         | 1100     | 1200     | 1200      | 1400      | 1400      | 1600     | 1600      | 1600      |
| ED         | 1650     | 1250     | 1450      | 1450      | 1650      | 1350     | 1450      | 1550      |
| DA         | 900      | 700      | 850       | 900       | 900       | 800      | 900       | 900       |
| Rated Load | 280      | 250      | 260       | 310       | 370       | 325      | 360       | 400       |



## Adjacent accesses

Configurations in accordance to the EN 81-41 in grey

|            | P1       | P2       | P3        | P4        | P5        | P6       | P7        | P8        |
|------------|----------|----------|-----------|-----------|-----------|----------|-----------|-----------|
| Nominal    | 900×1200 | 1000×800 | 1000×1000 | 1200×1000 | 1200×1200 | 1400×900 | 1400×1000 | 1400×1100 |
| CW         | 900      | 1000     | 1000      | 1200      | 1200      | 1400     | 1400      | 1400      |
| CD         | 1225     | 825      | 1025      | 1025      | 1225      | 925      | 1025      | 1125      |
| EW         | 1100     | 1200     | 1200      | 1400      | 1400      | 1600     | 1600      | 1600      |
| ED         | 1650     | 1250     | 1450      | 1450      | 1650      | 1350     | 1450      | 1550      |
| DA1        | 700      | 700      | 800       | 900       | 900       | 900      | 900       | 900       |
| DA2        | 900      | 700      | 850       | 900       | 900       | 800      | 900       | 900       |
| Rated Load | 280      | 250      | 260       | 310       | 370       | 325      | 360       | 400       |

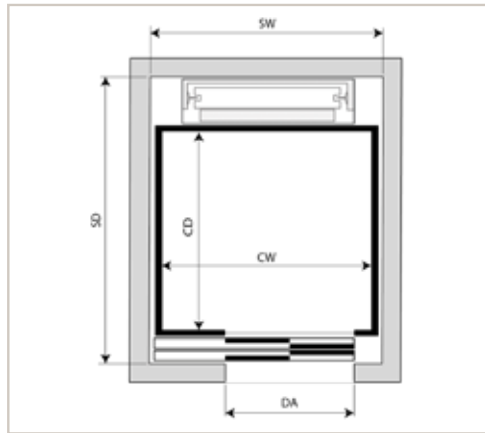
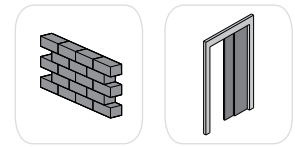


In case of Full Panel wit ceiling, lifts with accesses on three different sides are feasible, provided that maximum two accesses at the same floor are there.

Plan dimensions are the same as in the previous table.

## Predefined plan sizes - Sliding Doors

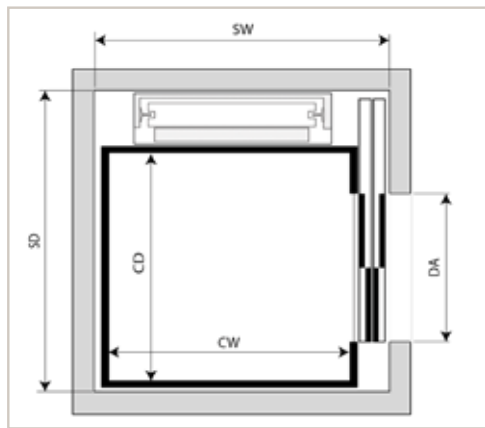
In case of no different notice doors are lateral opening two panels (2P).  
(4P) stands for four panel central opening



### Frontal access

Configurations in accordance to the EN 81-41 in grey

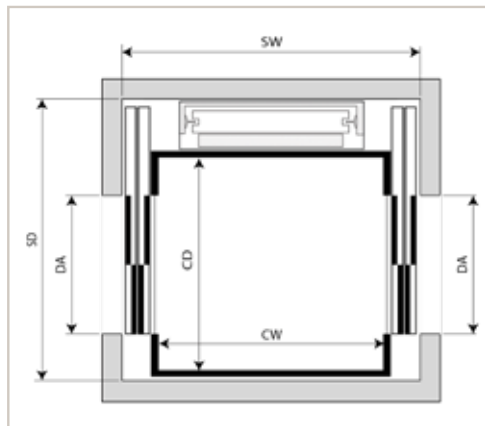
|            | P1       | P2       | P3        | P4        | P5 | P6       | P7        | P8        |
|------------|----------|----------|-----------|-----------|----|----------|-----------|-----------|
| Nominal    | 900×1200 | 1000×800 | 1000×1000 | 1200×1000 | -  | 1400×900 | 1400×1000 | 1400×1100 |
| CW         | 900      | 1080     | 1000      | 1200      | -  | 1400     | 1400      | 1400      |
| CD         | 1235     | 835      | 1035      | 1035      | -  | 935      | 1035      | 1135      |
| SW         | 1120     | 1220     | 1140      | 1340      | -  | 1540     | 1540      | 1540      |
| SD         | 1770     | 1370     | 1570      | 1570      | -  | 1470     | 1570      | 1670      |
| DA         | 600      | 600      | 600       | 700       | -  | 850      | 850       | 850       |
| Rated Load | 280      | 250      | 260       | 315       |    | 330      | 365       | 400       |



### Lateral access

Configurations in accordance to the EN 81-41 in grey

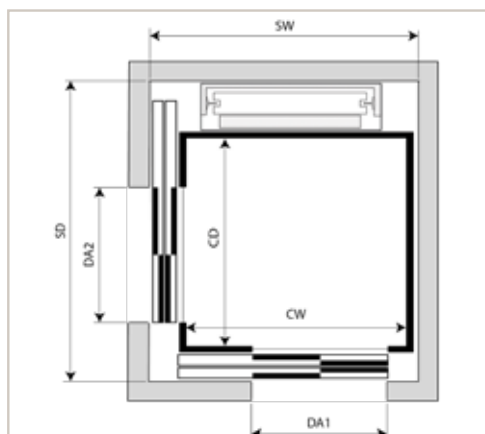
|            | P1       | P2       | P3        | P4        | P5 | P6       | P7        | P8        |
|------------|----------|----------|-----------|-----------|----|----------|-----------|-----------|
| Nominal    | 900×1200 | 1000×800 | 1000×1000 | 1200×1000 | -  | 1400×900 | 1400×1000 | 1400×1100 |
| CW         | 910      | 1010     | 1010      | 1210      | -  | 1410     | 1410      | 1410      |
| CD         | 1205     | 855      | 1055      | 1055      | -  | 905      | 1055      | 1135      |
| SW         | 1220     | 1320     | 1320      | 1520      | -  | 1720     | 1720      | 1720      |
| SD         | 1570     | 1220     | 1420      | 1420      | -  | 1270     | 1420      | 1550      |
| DA         | 900      | 650      | 800       | 800       | -  | 700      | 800       | 900       |
| Rated Load | 275      | 250      | 270       | 320       |    | 320      | 375       | 400       |



### Opposite accesses

Configurations in accordance to the EN 81-41 in grey

|            | P1       | P2       | P3        | P4        | P5 | P6       | P7        | P8        |
|------------|----------|----------|-----------|-----------|----|----------|-----------|-----------|
| Nominal    | 900×1200 | 1000×800 | 1000×1000 | 1200×1000 | -  | 1400×900 | 1400×1000 | 1400×1100 |
| CW         | 890      | 1040     | 1040      | 1240      | -  | 1400     | 1400      | 1400      |
| CD         | 1235     | 835      | 1035      | 1035      | -  | 905      | 1035      | 1135      |
| SW         | 1370     | 1520     | 1520      | 1720      | -  | 1880     | 1880      | 1880      |
| SD         | 1620     | 1220     | 1420      | 1420      | -  | 1270     | 1420      | 1550      |
| DA         | 900      | 650      | 800       | 800       | -  | 700      | 800       | 900       |
| Rated Load | 275      | 250      | 270       | 325       |    | 320      | 365       | 400       |



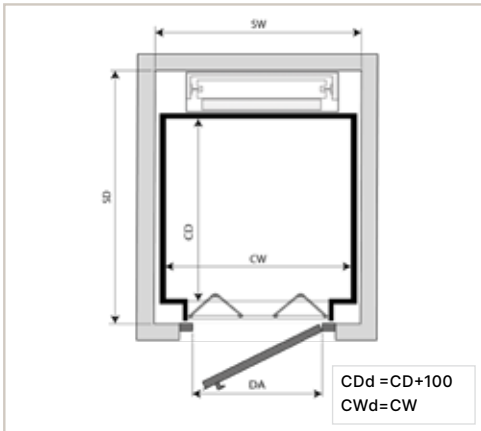
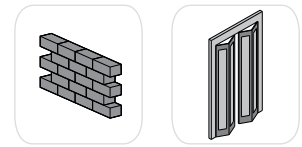
### Adjacent accesses (2Panels)

Configurations in accordance to the EN 81-41 in grey

|            | P1       | P2       | P3        | P4        | P5        | P6       | P7        | P8        |
|------------|----------|----------|-----------|-----------|-----------|----------|-----------|-----------|
| Nominal    | 900×1200 | 1000×800 | 1000×1000 | 1200×1000 | 1200×1200 | 1400×900 | 1400×1000 | 1400×1100 |
| CW         | -        | 1010     | 1010      | 1210      | 1210      | 1410     | 1410      | 1410      |
| CD         | -        | 835      | 1035      | 1035      | 1235      | 935      | 1035      | 1135      |
| SW         | -        | 1320     | 1320      | 1520      | 1520      | 1720     | 1720      | 1720      |
| SD         | -        | 1370     | 1570      | 1570      | 1770      | 1470     | 1570      | 1670      |
| DA1        | -        | 700      | 700       | 850       | 850       | 900      | 900       | 900       |
| DA2        | -        | 600      | 750       | 750       | 900       | 700      | 750       | 800       |
| Rated Load | -        | 250      | 265       | 315       | 375       | 330      | 365       | 400       |

## Predefined plan sizes - Folding Doors

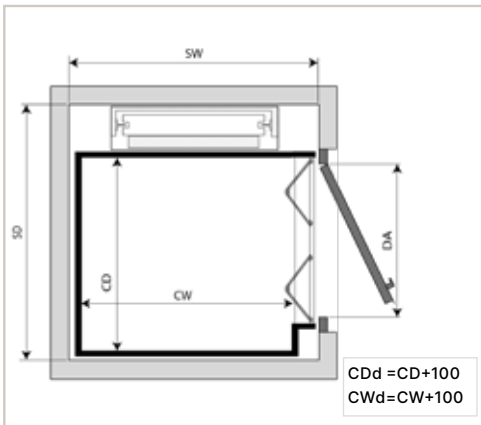
In case measurement Door to Door (CDd and CWd) can be accepted, please consider additional 100 mm for each access



### Frontal access

Configurations in accordance to the EN 81-41 in grey

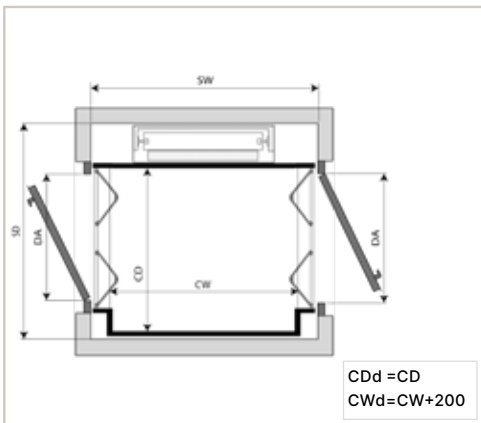
|            | P1       | P2       | P3        | P4        | P5 | P6       | P7        | P8        |
|------------|----------|----------|-----------|-----------|----|----------|-----------|-----------|
| Nominal    | 900x1200 | 1000x800 | 1000x1000 | 1200x1000 | -  | 1400x900 | 1400x1000 | 1400x1100 |
| CW         | 920      | 1000     | 1000      | 1200      | -  | 1400     | 1400      | 1400      |
| CD         | 1225     | 825      | 1025      | 1025      | -  | 925      | 1025      | 1125      |
| SW         | 1060     | 1140     | 1140      | 1340      | -  | 1540     | 1540      | 1540      |
| SD         | 1670     | 1270     | 1470      | 1470      | -  | 1370     | 1470      | 1570      |
| DA         | 800      | 800      | 800       | 900       | -  | 900      | 900       | 900       |
| Rated Load | 285      | 250      | 260       | 310       | -  | 325      | 360       | 400       |



### Lateral access

Configurations in accordance to the EN 81-41 in grey

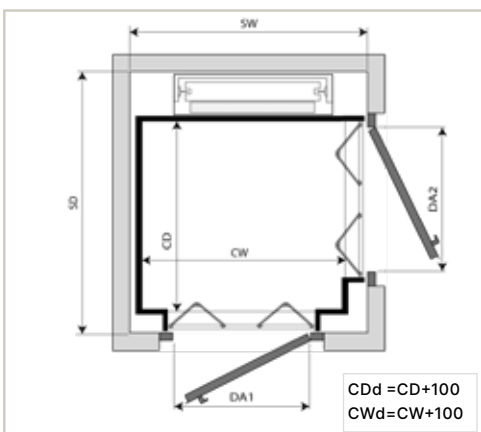
|            | P1       | P2       | P3        | P4        | P5 | P6       | P7        | P8        |
|------------|----------|----------|-----------|-----------|----|----------|-----------|-----------|
| Nominal    | 900x1200 | 1000x800 | 1000x1000 | 1200x1000 | -  | 1400x900 | 1400x1000 | 1400x1100 |
| CW         | 900      | 1000     | 1000      | 1200      | -  | 1400     | 1400      | 1400      |
| CD         | 1205     | 805      | 1005      | 1005      | -  | 905      | 1005      | 1105      |
| SW         | 1120     | 1220     | 1220      | 1420      | -  | 1620     | 1620      | 1620      |
| SD         | 1570     | 1170     | 1370      | 1370      | -  | 1270     | 1370      | 1470      |
| DA         | 900      | 650      | 850       | 850       | -  | 750      | 850       | 900       |
| Rated Load | 275      | 250      | 255       | 310       | -  | 320      | 355       | 400       |



### Opposite accesses

Configurations in accordance to the EN 81-41 in grey

|            | P1       | P2       | P3        | P4        | P5 | P6       | P7        | P8        |
|------------|----------|----------|-----------|-----------|----|----------|-----------|-----------|
| Nominal    | 900x1200 | 1000x800 | 1000x1000 | 1200x1000 | -  | 1400x900 | 1400x1000 | 1400x1100 |
| CW         | 920      | 1020     | 1020      | 1220      | -  | 1420     | 1420      | 1420      |
| CD         | 1205     | 805      | 1005      | 1005      | -  | 905      | 1005      | 1105      |
| SW         | 1220     | 1320     | 1320      | 1520      | -  | 1720     | 1720      | 1720      |
| SD         | 1570     | 1170     | 1370      | 1370      | -  | 1270     | 1370      | 1470      |
| DA         | 900      | 650      | 850       | 850       | -  | 750      | 850       | 900       |
| Rated Load | 280      | 250      | 260       | 310       | -  | 325      | 360       | 400       |

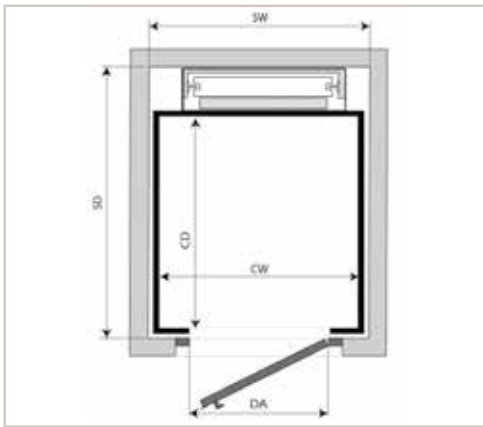
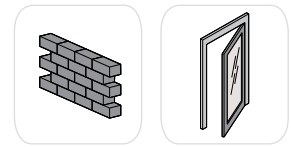


### Adjacent accesses

Configurations in accordance to the EN 81-41 in grey

|            | P1       | P2       | P3        | P4        | P5        | P6       | P7        | P8        |
|------------|----------|----------|-----------|-----------|-----------|----------|-----------|-----------|
| Nominal    | 900x1200 | 1000x800 | 1000x1000 | 1200x1000 | 1200x1200 | 1400x900 | 1400x1000 | 1400x1100 |
| CW         | 900      | 1000     | 1000      | 1200      | 1200      | 1400     | 1400      | 1400      |
| CD         | 1225     | 825      | 1025      | 1025      | 1225      | 925      | 1025      | 1125      |
| SW         | 1120     | 1220     | 1220      | 1420      | 1420      | 1620     | 1620      | 1620      |
| SD         | 1670     | 1270     | 1470      | 1470      | 1670      | 1370     | 1470      | 1570      |
| DA1        | 700      | 800      | 800       | 900       | 900       | 900      | 900       | 900       |
| DA2        | 900      | 650      | 800       | 850       | 900       | 750      | 850       | 900       |
| Rated Load | 280      | 250      | 260       | 305       | 370       | 325      | 360       | 400       |

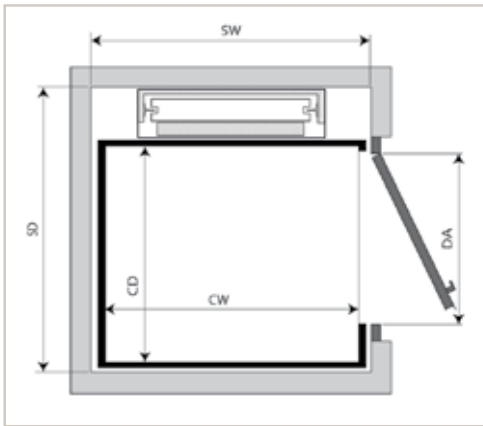
# Predefined plan sizes - Full Panel with Ceiling and Cabin w/o Doors



## Frontal access

Configurations in accordance to the EN 81-41 in grey

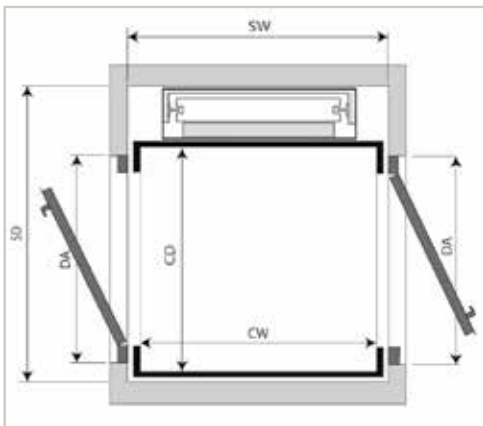
|            | P1       | P2       | P3        | P4        | P5        | P6       | P7        | P8        |
|------------|----------|----------|-----------|-----------|-----------|----------|-----------|-----------|
| Nominal    | 900×1200 | 1000×800 | 1000×1000 | 1200×1000 | 1200×1200 | 1400×900 | 1400×1000 | 1400×1100 |
| CW         | 900      | 1000     | 1000      | 1200      | 1200      | 1400     | 1400      | 1400      |
| CD         | 1225     | 825      | 1025      | 1025      | 1225      | 925      | 1025      | 1125      |
| SW         | 1020     | 1120     | 1120      | 1320      | 1320      | 1520     | 1520      | 1520      |
| SD         | 1570     | 1170     | 1370      | 1370      | 1570      | 1270     | 1370      | 1470      |
| DA         | 700      | 700      | 800       | 900       | 900       | 900      | 900       | 900       |
| Rated Load | 280      | 250      | 260       | 310       | 370       | 325      | 360       | 400       |



## Lateral access

Configurations in accordance to the EN 81-41 in grey

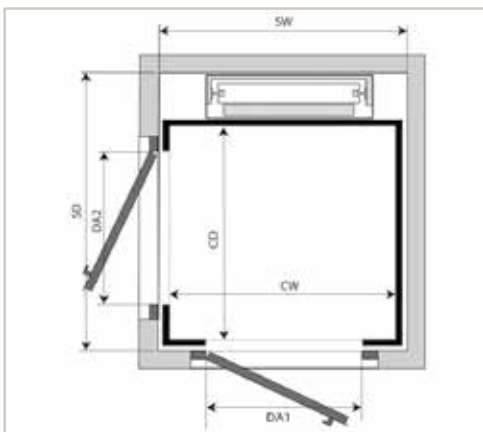
|            | P1       | P2       | P3        | P4        | P5        | P6       | P7        | P8        |
|------------|----------|----------|-----------|-----------|-----------|----------|-----------|-----------|
| Nominal    | 900×1200 | 1000×800 | 1000×1000 | 1200×1000 | 1200×1200 | 1400×900 | 1400×1000 | 1400×1100 |
| CW         | 900      | 1000     | 1000      | 1200      | 1200      | 1400     | 1400      | 1400      |
| CD         | 1225     | 825      | 1025      | 1025      | 1225      | 925      | 1025      | 1125      |
| SW         | 1020     | 1120     | 1120      | 1320      | 1320      | 1520     | 1520      | 1520      |
| SD         | 1570     | 1170     | 1370      | 1370      | 1570      | 1270     | 1370      | 1470      |
| DA         | 900      | 700      | 850       | 900       | 900       | 800      | 900       | 900       |
| Rated Load | 280      | 250      | 260       | 310       | 370       | 325      | 360       | 400       |



## Opposite accesses

Configurations in accordance to the EN 81-41 in grey

|            | P1       | P2       | P3        | P4        | P5        | P6       | P7        | P8        |
|------------|----------|----------|-----------|-----------|-----------|----------|-----------|-----------|
| Nominal    | 900×1200 | 1000×800 | 1000×1000 | 1200×1000 | 1200×1200 | 1400×900 | 1400×1000 | 1400×1100 |
| CW         | 900      | 1000     | 1000      | 1200      | 1200      | 1400     | 1400      | 1400      |
| CD         | 1225     | 825      | 1025      | 1025      | 1225      | 925      | 1025      | 1125      |
| SW         | 1020     | 1120     | 1120      | 1320      | 1320      | 1520     | 1520      | 1520      |
| SD         | 1570     | 1170     | 1370      | 1370      | 1570      | 1270     | 1370      | 1470      |
| DA         | 900      | 700      | 850       | 900       | 900       | 800      | 900       | 900       |
| Rated Load | 280      | 250      | 260       | 310       | 370       | 325      | 360       | 400       |



## Adjacent accesses

Configurations in accordance to the EN 81-41 in grey

|            | P1       | P2       | P3        | P4        | P5        | P6       | P7        | P8        |
|------------|----------|----------|-----------|-----------|-----------|----------|-----------|-----------|
| Nominal    | 900×1200 | 1000×800 | 1000×1000 | 1200×1000 | 1200×1200 | 1400×900 | 1400×1000 | 1400×1100 |
| CW         | 900      | 1000     | 1000      | 1200      | 1200      | 1400     | 1400      | 1400      |
| CD         | 1225     | 825      | 1025      | 1025      | 1225      | 925      | 1025      | 1125      |
| SW         | 1020     | 1120     | 1120      | 1320      | 1320      | 1520     | 1520      | 1520      |
| SD         | 1570     | 1170     | 1370      | 1370      | 1570      | 1270     | 1370      | 1470      |
| DA1        | 700      | 700      | 800       | 900       | 900       | 900      | 900       | 900       |
| DA2        | 900      | 700      | 850       | 900       | 900       | 800      | 900       | 900       |
| Rated Load | 280      | 250      | 260       | 310       | 370       | 325      | 360       | 400       |

## Free height per cabin type

The Free Height available in the building between the last floor and the lower obstacle at the top (e.g. building roof) should be higher than the encumbrance of the lift (headroom). Required headroom depends on the cabin and doors type.

Required Headroom values in the table include a free height of **30mm** between lift elements and building for installation purpose.

In case of metal shaft, values refer to header diagonals on top. For different roof solutions please consider:

- ◆ Flat roof 1 or 2 pieces, depending on dimensions +20 mm
- ◆ Inclined roof 1 or 2 pieces, depending on dimensions +40 mm

Standard situation is listed in the table below and refer to standard cabin / doors / shaft. Different configurations are optionally available:

- ◆ reduced height to overcome issues related to lower free height
- ◆ increased height where requested to install higher doors.

In case of **metal shaft**, reduced or increased height requires always a **specific feasibility study for custom execution**.

The last column of the table includes the minimum feasible values with **extra price for custom execution**.

In case of available Free Height lower than these values is not possible to install our lifts.

| Cabin type                        | Access side safety device | Cabin net height (mm) | Cabin access net height (mm) | Door access net height (mm) | Free Height in case of masonry shaft (mm) | Free Height in case of metal shaft (mm) | Min Free Height in case of Custom Metal Shaft (mm) |
|-----------------------------------|---------------------------|-----------------------|------------------------------|-----------------------------|---|---|--|
| Full Panel Wall with Roof         | Photocells                | 1920                  | 1900                         | 1900                        | 2100                                      | 2350                                    | 2150   |
|                                   |                           | 2020                  | 2000                         | 2000                        | 2200                                      | 2450                                    | 2250   |
|                                   |                           | 2100                  | 2080                         | 2000                        | 2300                                      | 2450                                    | 2350   |
|                                   |                           | 2200                  | 2180                         | 2100                        | 2400                                      | 2550                                    | 2450   |
| Standard Cabin without doors      | Photocells                | 1920                  | 1900                         | 1900                        | 2100                                      | 2350                                    | 2150   |
|                                   |                           | 2020                  | 2000                         | 2000                        | 2200                                      | 2450                                    | 2250   |
|                                   |                           | 2100                  | 2080                         | 2000                        | 2300                                      | 2450                                    | 2350   |
|                                   |                           | 2200                  | 2180                         | 2100                        | 2400                                      | 2550                                    | 2450   |
|                                   | Light Curtains            | 2020                  | 2000                         | 2000                        | 2200                                      | 2450                                    | 2250   |
|                                   |                           | 2100                  | 2080                         | 2000                        | 2300                                      | 2450                                    | 2350   |
| Standard cabin with folding doors | -                         | 2020                  | 1940                         | 1900                        | 2240                                      | 2350                                    | 2290   |
|                                   |                           | 2100                  | 2020                         | 2000                        | 2320                                      | 2450                                    | 2370   |
|                                   |                           | 2200                  | 2120                         | 2100                        | 2420                                      | 2550                                    | 2470   |
| Standard cabin with sliding doors | Photocells                | 2100                  | 2000                         | 2000                        | 2450 / 2500 (**)                          | 2590                                    | 2525   |
|                                   |                           | 2200                  | 2100                         | 2100                        | 2550 / 2600 (**)                          | 2690                                    | 2625   |
|                                   | Light Curtains            | 2100                  | 2000                         | 2000                        | 2500                                      | 2590                                    | 2550   |
|                                   |                           | 2200                  | 2100                         | 2100                        | 2600                                      | 2690                                    | 2650   |
| Elegance Cabin without doors      | Photocells                | 2030 (*)              | 2020                         | 2000                        | 2300                                      | 2450                                    | 2350   |
|                                   |                           | 2130 (*)              | 2120                         | 2100                        | 2400                                      | 2550                                    | 2450   |
|                                   | Light curtains            | 2030 (*)              | 2020                         | 2000                        | 2300                                      | 2450                                    | 2350   |
| Elegance Cabin with folding doors | -                         | 2030 (*)              | 2020                         | 2000                        | 2320                                      | 2450                                    | 2370   |
|                                   |                           | 2130 (*)              | 2120                         | 2100                        | 2420                                      | 2550                                    | 2470   |
| Elegance Cabin with sliding doors | Photocells                | 2030 (*)              | 2000                         | 2000                        | 2450 / 2500 (**)                          | 2590                                    | 2525   |
|                                   |                           | 2130 (*)              | 2100                         | 2100                        | 2550 / 2600 (**)                          | 2690                                    | 2625   |
|                                   | Light Curtains            | 2030 (*)              | 2000                         | 2000                        | 2500                                      | 2590                                    | 2550   |
|                                   |                           | 2130 (*)              | 2100                         | 2100                        | 2600                                      | 2690                                    | 2650   |

(\*) Cabin net height reduced by 70 mm counterceiling      (\*\*) the higher value applies in case of Sliding Doors 3 Panels)

## Configuration for delivery

- ◆ The lift is delivered with the main parts already assembled to optimize weight and installation time.
- ◆ Electrical cables are pre-wired and prepared with connectors.
- ◆ Small parts are packaged into specific identifiable boxes.
- ◆ T-guides are already "cut to length" to reduce installation time at site.
- ◆ The lift is always delivered with an optimized package to reduce logistic costs and product breakage during transportation.

## Electrical cabinet

The electrical panel and the hydraulic control unit shall be housed in a location, or in an appropriate container, which will protect them from the atmospheric elements.

Our platform lift can be equipped with a "Cabinet" specifically designed to contain the "Electrical Control Panel and Hydraulic Control Unit".

In the event that the client prefers not to purchase our Cabinet, He/She may proceed differently providing that prescriptions and specifications are fulfilled.

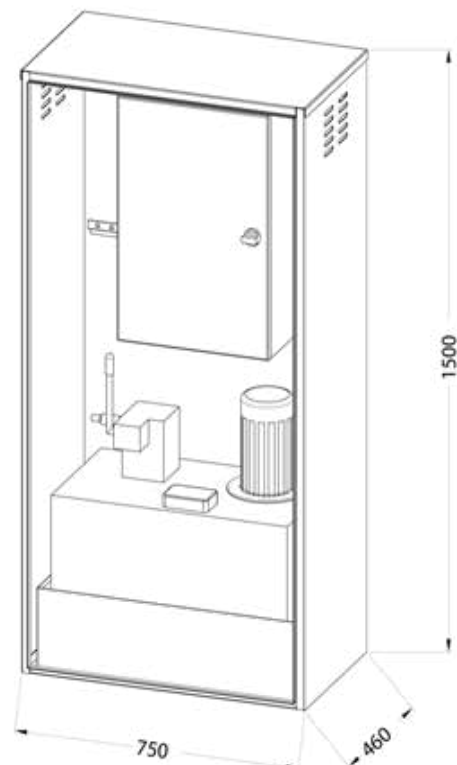
Please refer to our Pre-Installation manual for specific information.

The standard position of the electrical cabinet is at the bottom floor within a maximum distance of 5 meters from the Guide side of the lift. Optionally this distance can be increased up to 10 meters thanks to a specific set of cables.

Finishes: Standard RAL 7001; Optionally painted at choice.

The Cabinet is suitable for outdoor application, provided it is positioned in a protected area of the building or equipped with "suitable rain protection" (e.g. canopy) to avoid unwanted water infiltration inside the cabinet. It should not be exposed to direct rain and to aggressive and corrosive environment,

Dimensions: 750 × 460 × 1500 mm



# Communication & drive



## Two way communication

Two way communication is mandatory according to EN81-41. Telephone landline required for standard configuration. As an option, GSM module can be added (SIM card not supplied). Choose from one of the following options.

### Autodialer

Equipment for emergency calls. Integrated in the control operation panel. Dials automatically when the alarm button is kept pressed for 3 seconds. When unanswered after a predefined time, the call is automatically forwarded to the next pre-set number. The autodialer can be equipped with a GSM module.

### Phone

The telephone works as a standard telephone but is intended for emergency calls only. The phone is mounted on the platform panel, usually next to the Control Panel.



## Valuable standard features

### Battery operated emergency lowering

Battery operated emergency lowering is a standard feature in every lift. When there is a power failure, you can still travel downwards and get out by yourself. It is possible to run the lift to a lower level pressing a destination button in the Control Operation Panel.

The battery guard ensures that the batteries are not damaged and that there is enough power to run the lift in the case of a power cut.

It ensures that the lift is turned off when the battery charge reaches a low predefined level.

### Soft start and stop.

It provides the lift with a smooth start and stop. Two speeds - hydraulic unit comes as a standard feature on all the lifts.

### Safety is our DNA.

With its own SIL3 certified electronics, Altura Platinum sets itself apart from the crowd and beyond the mandatory in the Home lift market.



# FAQ

## 1. Can I have the lift painted in any colour?

Altura Platinum elements can be painted in any RAL colour. Colours are grouped according to the frequency of use - in different classes with different pricing. Price level is lower for the most frequently used colours in our range. Also delivery times can differ per group.

| RAL Colour Groups         | Type of colours included  |
|---------------------------|---|
| Group 1<br>High frequency | The 14 - most frequently ordered - not metallic RAL colours. This group include RAL9010 and the skinplate matching colours. |
| Group 2<br>Mid frequency  | The 16 - often used - not metallic RAL colours  |
| Group 3<br>Low frequency  | 4 Metallic colours (R06 / R07 / R09 / R10) + 44 not metallic RAL colours sometimes ordered                                  |
| Any other RAL             | Any other colour from the RAL chart K7 classic (year 2017). Pearl and Metal colours excluded.                               |

RAL Colours Groups apply to all the painted components in our lift: Metal Shaft and Panels / Cabin Walls / Cabin and Landing Doors. RAL9010 is part of Group1. In other cases, it can be the standard finish included in the base price. Metallic Colours (R06 / R07 / R09 / R10) are available for Metal Shaft and Landing Doors only.

Painting for Shaft, Doors, Cabin is Coarse Texture, visual gloss. Painting for the "Accent" of the Elegance Cabin is Smooth, visual gloss. Metallic Colours have different finishes according to the table below

| Metallic Finishes and Descriptions |  |
|------------------------------------|--|
| R06                                | Metallic   RAL9006 Coarse Texture   Visual Gloss |
| R07                                | Metallic   RAL9007 Coarse Texture   Visual Gloss |
| R09                                | Metallic   RAL9006 Medium Texture   Visual Gloss |
| R10                                | Metallic   Fine Texture   Visual Matt            |

Please refer to the annex for the complete list of colours and groups.

Pictures are purely indicative and cannot be considered controlled samples. Sample kits are available on request.

All parts can show small colour differences, this is normal and unavoidable. While we take every precaution to minimize visible differences, this cannot be guaranteed.

### Skinplate Matching RAL Colours

| RAL      | Skinplate  |
|----------|------------|
| RAL 9003 | A1; PPS10  |
| RAL 9010 | A4         |
| RAL 1013 | A13; PPS11 |
| RAL 1015 | G1         |
| RAL 5024 | B13        |
| RAL 7035 | N1; PPS1   |
| RAL 7037 | Metal Like |

"Any other RAL" colours are available with extra price and extra delivery time as a special request.

### Coarse Texture



### Metallic colours



R06



R07




R09



R10

Selecting high frequency RAL colors significantly reduces the powder-coating scrape rate with positive effect for the environment.



## 2. What are the reaction forces on the building and the forces on the fixings which support the frame to the wall

Details regarding the forces are specifically provided for each unit in the technical dossier. As a general information here are indicated typical loads according to typical conditions of external agents (wind, snow, temperature) and typical fixing solutions of the Home lifts to the building.

### Reaction forces from the lift to the building floor:

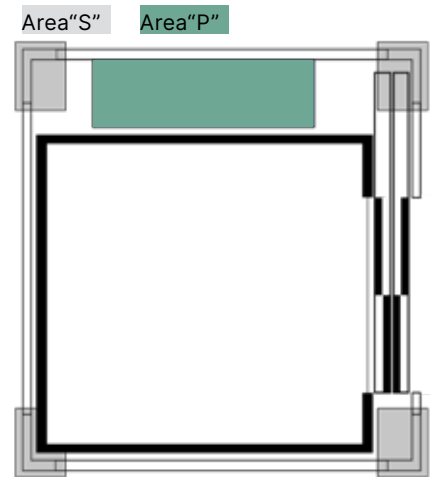
- ◆ The lift applies to the pit on the area "P" a force function of the travel. This force can be considered uniformly distributed onto the base plate.
- ◆ The metal shaft applies to the base area "S" a force function of the travel. This force is applied to the four corners' plate of the shaft structure.
- ◆ Maximum force as a function of the lift's travel.

### Load from the lift to area "P"

| Travel (m) | Altura Platinum [0,15 m/s] Dynamic Load (kN) |
|------------|--|
| 2          | 12,1   |
| 4          | 12,7   |
| 6          | 13,3   |
| 8          | 13,8   |
| 10         | 14,4   |
| 12         | 15,0   |
| 14         | 15,6   |
| 15         | 15,9   |

### Load from the lift to area "S"

| Travel (m) | Total (kN) | each corner (kN) | specific on each corner (N/mm <sup>2</sup> ) |
|------------|------------|------------------|--|
| 2          | 12         | 3                | 0,16   |
| 4          | 16         | 4                | 0,21   |
| 6          | 20         | 5                | 0,26   |
| 8          | 24         | 6                | 0,32   |
| 10         | 28         | 7                | 0,37   |
| 12         | 32         | 8                | 0,42   |
| 14         | 36         | 9                | 0,47   |
| 15         | 40         | 10               | 0,53   |



### Reaction Force on the wall (rail side) - Concrete shaft:

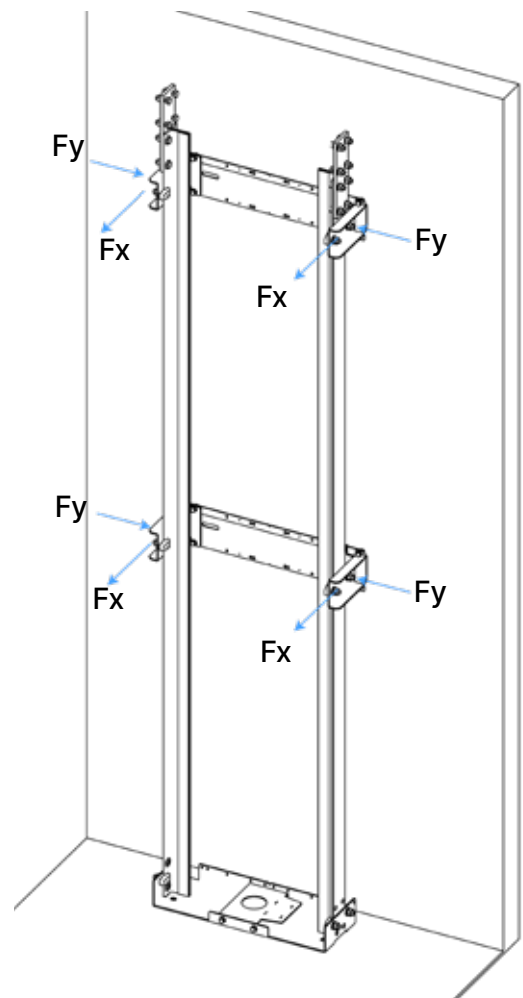
- ◆ The force is distributed to the wall through each crossbeam.
- ◆ Vertical distance between each crossbeam is on average 1150 mm
- ◆ Maximum force applied to each fixing point.

| Speed (m/s) | Fx guide side [kN] | Fy guide side [kN] |
|-------------|--------------------|--------------------|
| <= 0,15     | 2,5                | 0,9                |

- ◆ Maximum extraction load is lower than 2,5 kN for each fixing point

### Reaction Force on the wall - Metal shaft structure:

- ◆ The metal structure shall be fixed to the existing building typically every 2000 mm in height through expansion bolts.
- ◆ A wide range of fixing solutions is available to cover the most stringent applications.
- ◆ Loads in typical conditions never exceed 3 kN for each fixing point.
- ◆ Further information are included in our Fixings guide.



### 3. To which standards do the lifts comply?

The Altura Platinum complies with the Machine Directive 2006/42/EC, by following the harmonized standard EN 81-41.  
 Lifts with speed up 0,15 m/s are type approved and CE marked.  
 Specifications and functionalities may vary based on markets and models.

CE Certificates are available on partner desktop.  
 Specific declarations according to local codes can be provided on request.

Nomenclature will change according to the different specifications. See side table with model codes.

**Altura Platinum Nomenclature**

| Model Code | Cabin Doors | Certification    |
|------------|-------------|------------------|
| HY04       | NO          | CE type approved |
| HY41       | YES         |                  |

### 4. What does it mean that the Shaft Structure is suitable for seismic conditions?

Our Shaft Structure is designed to be used also in locations where a seismic event can occur. Specifically, the structure has been checked according to the requirements of the Eurocodes and NTC2018 (Italian reference standard) which provide guidelines on the structural calculation in seismic conditions.

Indeed, it is not possible to state a priori a degree of resistance according to an earthquake's strength scale. The structure must be checked according to the stratigraphic and topographical conditions of the soil and subsoil and of the predictable ground acceleration in these areas. The structure's behavior and its resisting capacities also depend on its geometry and boundary constraint conditions.

Specific verification could be necessary according to local regulation.  
 Please contact us for specific cases.

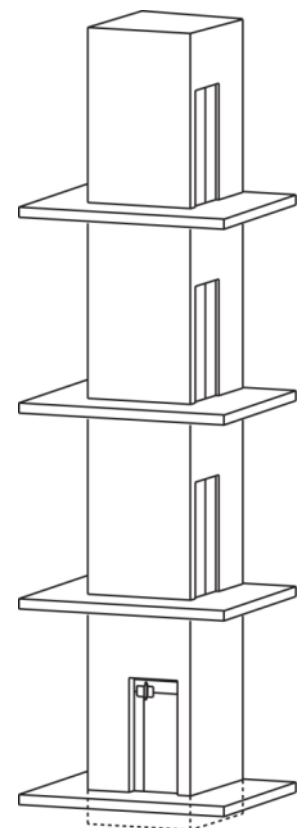
### 5. Can the Home Lift be installed if accessible spaces exist below the lowest landing floor?

As a general rule: YES, provided that the structure can sustain the reported dynamic loads.

### 6. Can the Home Lift be installed in an hoistway bigger than the value specified in the plan sizes table?

As a general rule: YES, provided that the maximum gap between the cabin and the shaft wall does not exceed 150 mm.

Please contact us for specific cases.



Pit 250 mm

## 7. Which is the pit needed for installation?

Pit is 120 mm independent of the Altura Platinum model.

In case of cabin prepared for customer's floor the pit shall increase accordingly up to 140 mm (for a 20 mm floor).

In case of cabin with folding or sliding door in a concrete shaft, when at one side there is only the bottom landing access, a 250 mm pit is needed to grant access to the door operator for installation and maintenance.

Please contact us for specific cases.

## 8. What is "recess" installation for sliding landing doors?

Recess installation means that landing door is partially sank in the wall. Recess installation could be useful to maximize the cabin dimension in an existing shaft.

The amount of recess can be decided at order stage on the product configurator selecting the RL parameter. All the doors at the same side shall have the same amount of recess.

RL is the recess amount, the value which has to be sank in the wall at landing.

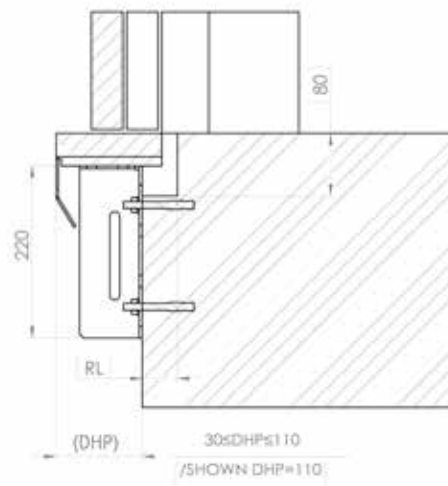
DHP is the value the door sill protrudes in the shaft.

DHP is included between 30 - 110 mm

RL and DHP are linked by a formula depending on the door type

|                     |                  |
|---------------------|------------------|
| 2 Panels / 4 Panels | $RL = 110 - DHP$ |
| 3 Panels            | $RL = 155 - DHP$ |

Please refer to the DGM and DWG annexes for further details



## 9. What is needed for outdoor application?

Options suggested for outdoor application are indicated in the price list.

Oil heater is mandatory in case the lift is supposed to work below 5 °C.

The Shaft outdoor kit include canopies for landing doors.

Depending on local weather conditions and installation, small quantity of rainwater can leak into the lift via landing doors or shaft. For this reason we always advice that the pit floor is drained with a proper system to direct the rainwater away.

We advise also to protect the main cabinet from direct rain as it is not watertight.

In addition, in case of extreme/particular heavy rain environment and in order to reduce even further the small quantity of water in the shaft, it could be advisable to seal the junctions between crossbeams/jambes or jambes/jambes with proper silicon. **Panels with silicon are recommended.**

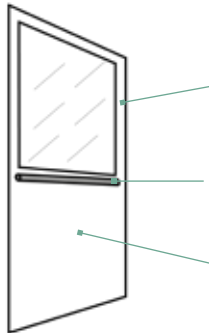
Installation is not recommended in salt or chlorine environment.

For example in case of installation close to sea or close to a swimming pool.

In case of Installation in environment with strong sun irradiation, inside of the shaft it could be reached high temperatures. In this condition, we advise to order half-reflecting glass (available in the price list) and to contact a conditioning and air treatment specialist to identify the best solution to adopt in order to keep under control the temperature inside the shaft. If the temperature inside the shaft is too high (>40° C as general indication) the use of the platform must be restricted.

Please refer to our pre-installation manual for more specific information and contact our drawing office for any additional requests or for special solutions.

## 10. How do the Panoramic walls match with the cabin finishes?



1/2 Panoramic Wall

### For the Standard Cabin,

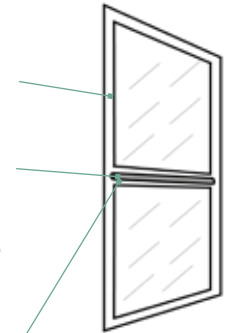
The frame of the full or 1/2 panoramic wall is in the same finishes as the other cabin walls.

The handrail is not included with the full or 1/2 panoramic wall. It can be ordered with extra price. [Mandatory on Full Panoramic wall in Public Access].

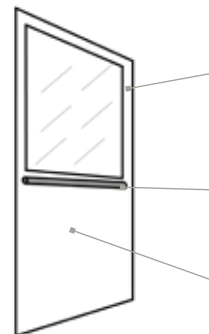
The blind 1/2 wall below the 1/2 panoramic wall is always in the same finish as the other cabin walls.

In some cases, a horizontal frame divides the full panoramic wall in two sections.

The external cladding of the full or 1/2 panoramic wall is always Alluminium



Panoramic Wall



1/2 Panoramic Wall

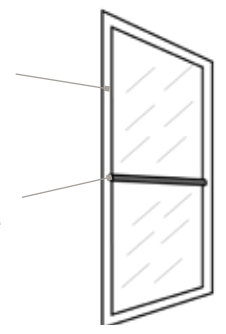
### For the Elegance Cabin,

The frame of the full and 1/2 panoramic wall is Stainless Steel Satin

The handrail is not included with the full or 1/2 panoramic wall. It can be ordered with extra price [Mandatory on panoramic wall in Public Access].

The blind 1/2 wall below the 1/2 panoramic wall is always in the same finish as the other cabin walls

The external cladding of the full or 1/2 panoramic wall is always Stainless Steel Satin.



Full panoramic Wall

# Features & Benefits

## You can always get out of the Home lift by yourself

If there is a power failure, you can always get out of the Home lift by yourself with automatic emergency lowering. Use the cabin buttons and the lift will take you to a pre-set lower floor where you can open the door and get out.

## The safest lift of its kind

For safety we prefer to count on more than one system. The overspeed governor and brake is separate from the main drive system. The electronics are certified by a third party with the highest safety Integration level for units of this kind (SIL3).

## Duty Cycle

Home lifts are intended for low traffic in residential or public buildings. Altura Platinum can run up to 36 travels per hour, depending on configurations and environmental conditions. In case of heavier use or higher travel, our lifts are provided with safety devices to standby the unit and prevent damages from overheating until the normal operation conditions are reset.

## Energy efficiency

Altura Platinum, tested in different configurations and speeds, has been rated as the best energy efficiency class, with stand-by consumption significantly below 30W and extremely low annual nominal consumption (\*).

## Low operation and maintenance cost

The entire portfolio of the thyssenkrupp Home lifts is based on a common electronics with CAN BUS connection granting easy diagnostic and maintenance.

## Structural Metal Shaft

TKE's structural shaft means the lift is suitable for outdoor installation in seismic conditions, making it the ideal premium mobility enhancement for private homes.

## Versatile portfolio

More than 200 predefined plan sizes to fit everywhere in private and public buildings. Available also in customized dimensions with or without cabin doors.

(\*) Usage category: 1 according to VDI 4707-1. Measurement carried out on 08 November 2017. Altura Platinum Home lifts achieved the A class, the highest energy rating under the VDI 4707 classification. Actual performances are only indicative for similar units. Notified bodies only are entitled to perform measurements and classification.

# Annexes

## DWG-Altura Platinum

Includes the drawings of all the predefined plan sizes for Altura Platinum applications.

## TAB-Altura Platinum

Includes all the predefined and modular plan sizes for Altura Platinum applications in a tabular form with the main dimensions and information.

## DGM-Altura Platinum

Includes the feasibility diagrams and the formulas to pass from Cabin dimensions to Shaft dimensions. It includes also useful indications between cabin sizes and door sizes.

For experienced professionals, only.

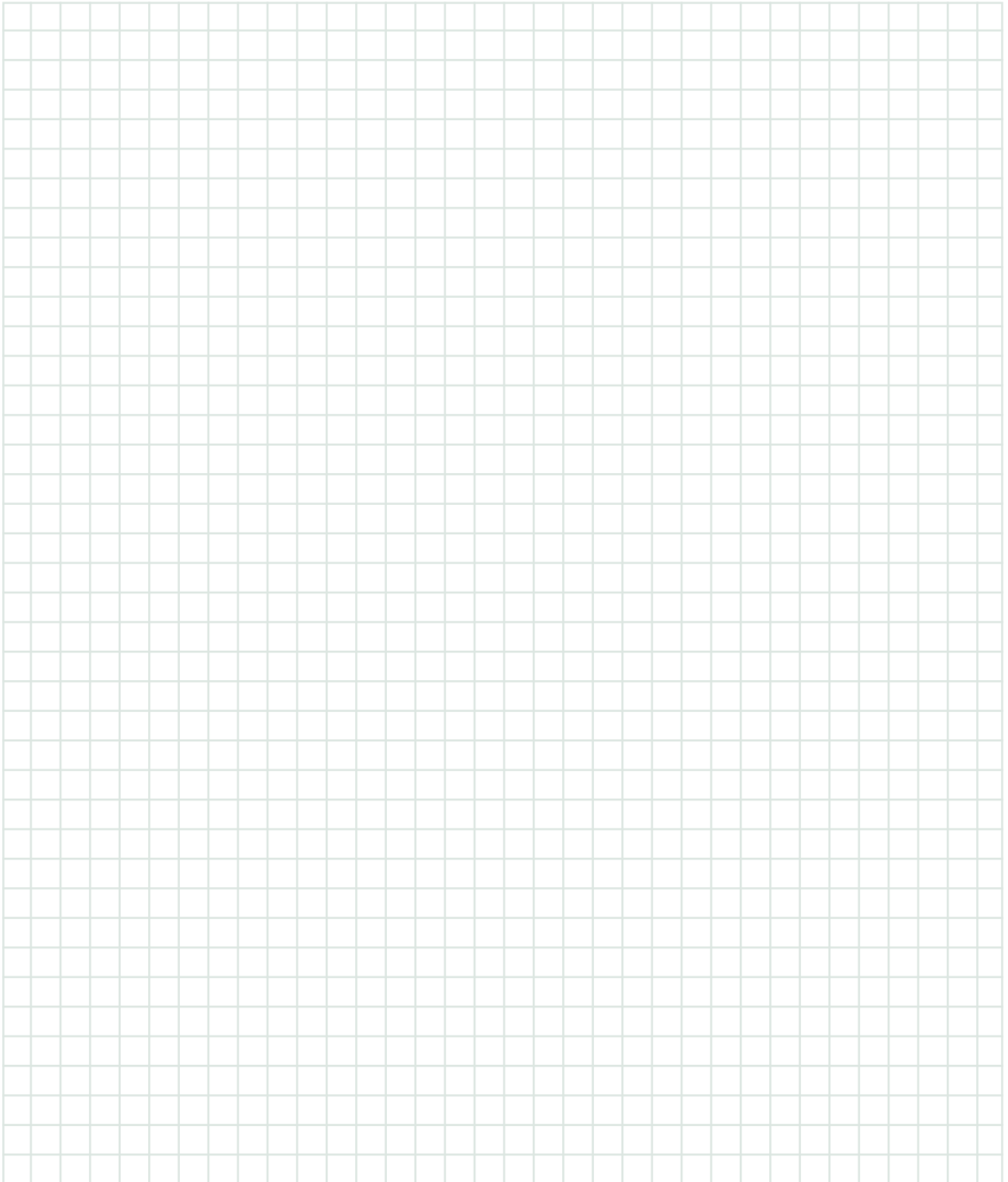
## RAL-Colours-Groups

Includes the RAL colours grouped in classes.

All images and colours are for illustrative purpose only.







Model Code  
HY04 / HY41

Product Codes  
HYxx-ES-yyy  
HYxx-ST-yyy

Commercial Names  
Altura Platinum /  
H200

Document name  
CAT-PLA-EN-08

Date  
December 2023